



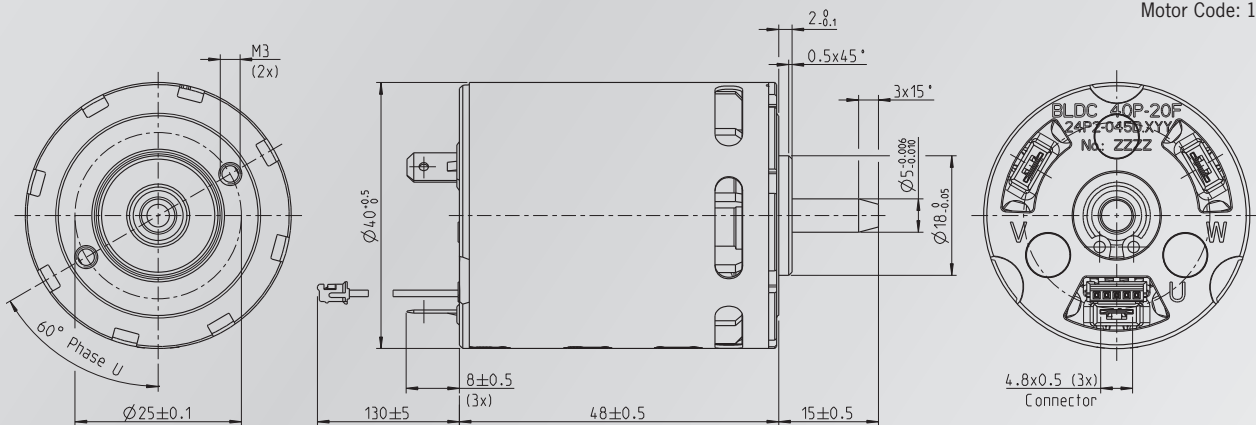
BLDC 40P20F

24P2.045D

Brushless 3 – Phase DC Motor

Rated Voltage	No Load Speed	Rated Speed	Cont. Power	Rated Torque	Current at rated Speed	Efficiency at Duty Point
[V]	[rpm]	[rpm]	[W]	[mNm]	[A]	[%]
12	11.785	8.145	105	124	11,5	78
18	17.700	12.225	191	149	14,2	79

Motor Code: 121088800056



General informations

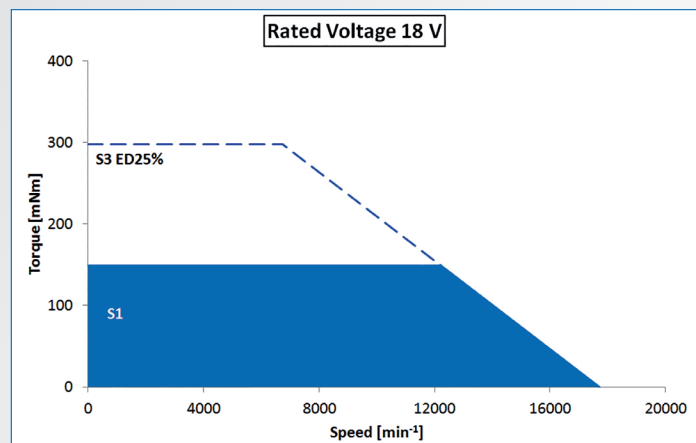
- **Class of protection:** IP20
- **Mounting position:** free
- **Duty cycle:** up to 100 %
- **Bearing system:** Ball Bearings
- **Torque Constant:** 9,2 mNm/A
- **Weight:** 0,225 kg
- **Rotor Inertia:** 32 gcm²
- **Oper. Temp. Range:** -20 °C to +45 °C
- **Max. Temp. Rise:** 70 K
- **Direction of Rotation:** CW / CCW
- **Class of Insulation:** H
- **Shaft Material:** Steel, not hardened
- **Number of Poles:** 8

Options

- **Integrated Drive Electro.:** Yes
- **Planetary Gearbox:** Yes
- **Sensorless Operation:** Yes
- **Shaft hardened (Surface):** Yes

Features

- High power-to-volume ratio
- High efficiency at duty point
- Extremely reliable



NMB Technologies Corporation
 A MinebeaMitsumi Group Company
 39830 Grand River Avenue
 Novi, MI 48375
 Tel: 248-919-2250
 eMail: info@nmbtc.com

MinebeaMitsumi
 Passion to Create Value through Difference