

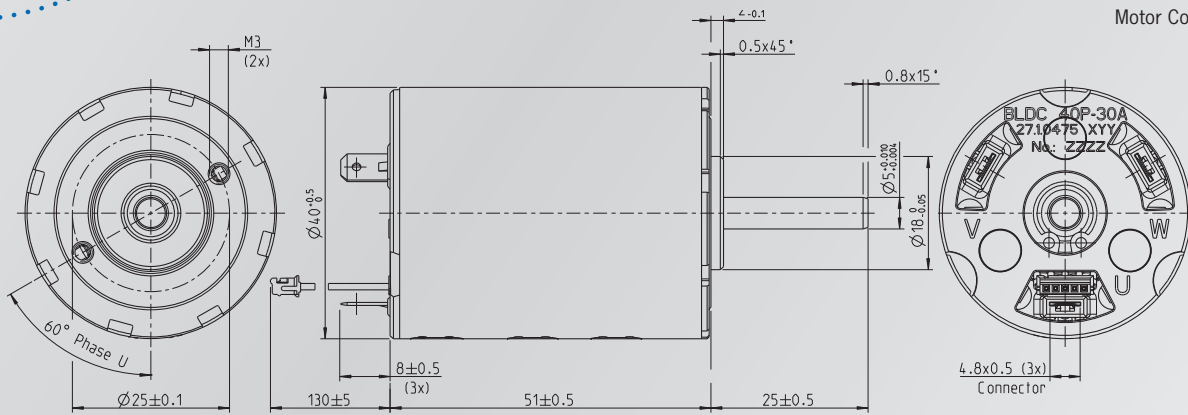
BLDC 40P30A

27.1.0475

Brushless 3 – Phase DC Motor

| Rated Voltage | No Load Speed | Rated Speed | Cont. Power | Rated Torque | Current at rated Speed | Efficiency at Duty Point |
|---------------|---------------|-------------|-------------|--------------|------------------------|--------------------------|
| [V] | [rpm] | [rpm] | [W] | [mNm] | [A] | [%] |
| 24 | 4.190 | 3.250 | 29 | 86 | 1,5 | 76 |

Motor Code: 121088800075



General informations

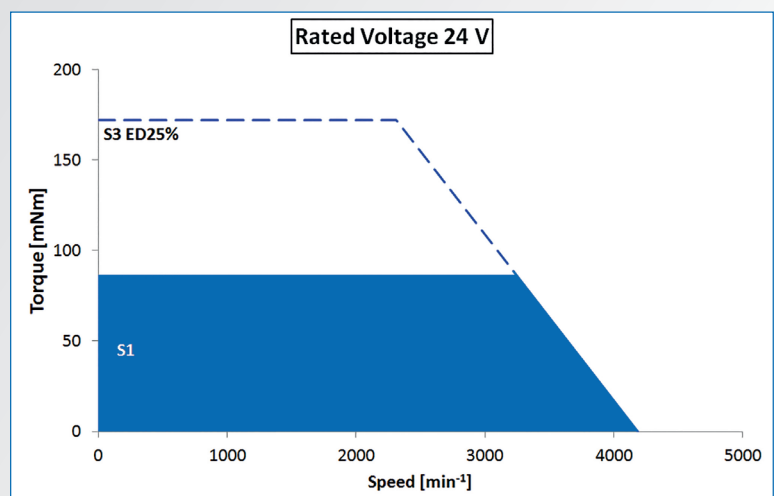
- **Class of protection:** IP20
- **Mounting position:** free
- **Duty cycle:** up to 100 %
- **Bearing system:** Ball Bearings
- **Torque Constant :** 53 mNm/A
- **Weight:** 0,35 kg
- **Rotor Inertia:** 37 gcm²
- **Oper. Temp. Range:** -20 °C to +45 °C
- **Max. Temp. Rise:** 70 K
- **Direction of Rotation:** CW / CCW
- **Class of Insulation:** H
- **Shaft Material:** Steel, not hardened
- **Number of Poles:** 8

Options

- **Integrated Drive Electro.:** Yes
- **Planetary Gearbox:** Yes
- **Sensorless Operation:** Yes
- **Shaft hardened (Surface):** Yes

Features

- High power-to-volume ratio
- High efficiency at duty point
- Extremely reliable



NMB Technologies Corporation
 A MinebeaMitsumi Group Company
 39830 Grand River Avenue
 Novi, MI 48375
 Tel: 248-919-2250
 eMail: info@nmbtc.com
 nmbtc.com

MinebeaMitsumi
 Passion to Create Value through Difference