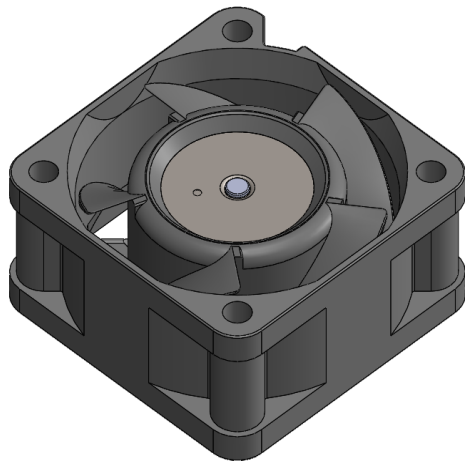


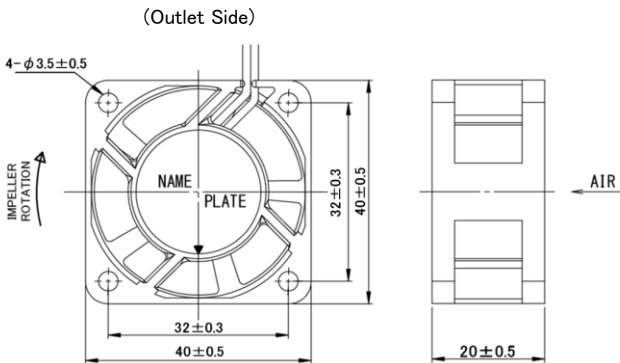
DC Axial Fan Ball Bearing



■ General Specifications

- Motor Protection : Auto Restart
- Insulation Resistance : 10MΩ or over with a DC500V Megger
- Dielectric Withstand Voltage : AC700V 1s
- Allowable Ambient : (-40°C~+105°C) (Operating)
- Temperature Range (-40°C~+105°C) (Storage)

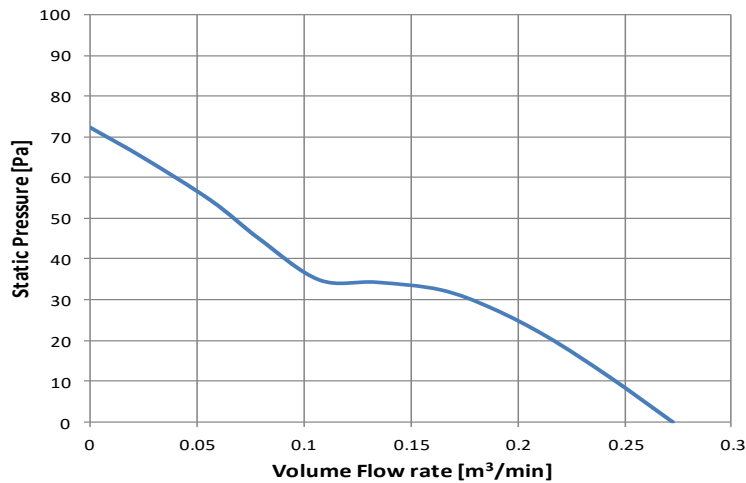
■ Outline



■ Material

- Casing : Plastic
- Impeller : Plastic
- Bearing : Ball Bearing
- Lead Wire : +: Red(0.3sq), -: Black(0.3sq)
- [Option] Speed Signal (2pulse/rev) : Blue (0.3sq) (open drain)
- Connector Type TBD

■ Characteristic Curves



■ Typical characteristics of the soft-tool sample

Model	Rating Voltage	Operating Voltage	Current	Input Power	Speed	Max. Volume Flow rate	Max. Static Pressure	Acoustic Noise	
	(V)	(V)	(A) ^{*1}	(W) ^{*1}	(min ⁻¹) ^{*1}	(m ³ /min) ^{*1} (CFM) ^{*1}	(Pa) ^{*1} (In H ₂ O) ^{*2}	(dB) ^{*1,*2}	(dB) ^{*1,*2}
04020UA12N	13.5	9 ~ 16	0.10	1.35	8500	(0.27) (9.53)	(72.0) (0.29)	Typ 37	
04020UA05N	5.0	4.5 ~ 5.5	0.23	1.15	8500	(0.27) (9.53)	(72.0) (0.29)	Typ 37	

Rotation : Clockwise as seen from the label side

Airflow Outlet : Label side

*1: Average Values in Free Air. It is the reference value of the soft-tool sample, not guaranteed value.

*2: Measured by Microphone distance 1m.