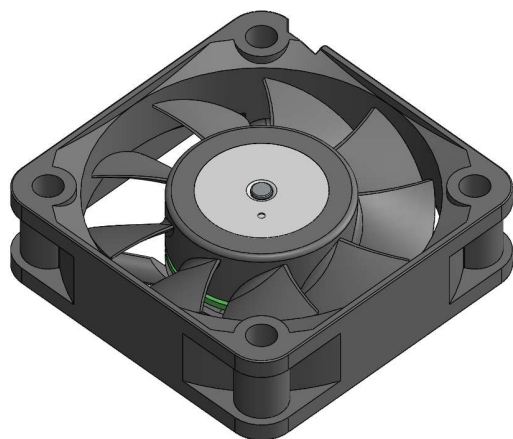


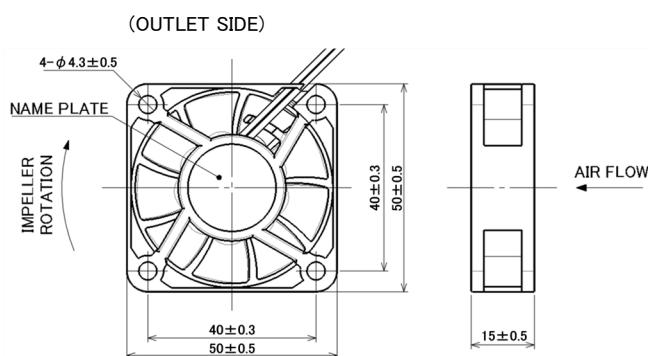
DC Axial Fan Ball Bearing



■ General Specifications

- Motor Protection : Auto Restart
- Insulation Resistance : 10MΩ or over with a DC500V Megger
- Dielectric Withstand Voltage : AC700V 1s
- Allowable Ambient : (-40°C ~ +105°C) (Operating)
- Temperature Range : (-40°C ~ +105°C) (Storage)

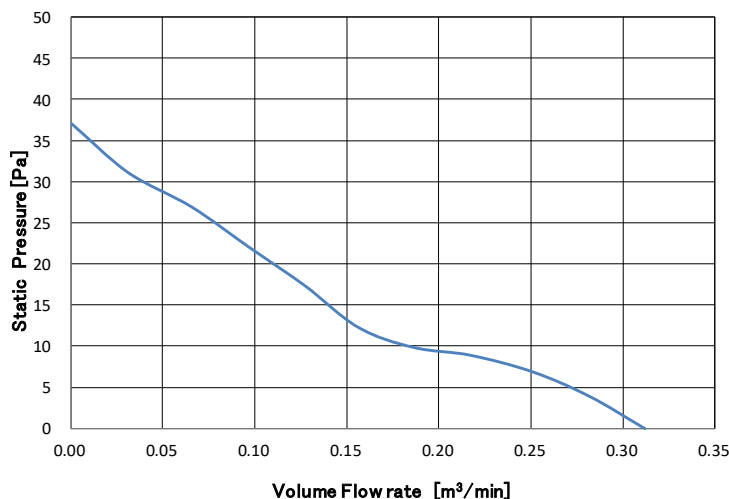
■ Outline



■ Material

- Casing : Plastic
- Impeller : Plastic
- Bearing : Ball Bearing
- Lead Wire : +: Red(0.3sq), -: Black(0.3sq)
- [Option] Speed Signal (2pulse/rev) : Blue (0.3sq) (open drain)
- Connector Type TBD

■ Characteristic Curves



■ Typical characteristics of the soft-tool sample

Model	Rating Voltage	Operating Voltage	Current	Input Power	Speed	Max. Volume Flow rate	Max. Static Pressure		Acoustic Noise	
	(V)	(V)	(A)*1	(W)*1	(min ⁻¹)*1	(m ³ /min)*1	(CFM)*1	(Pa)*1	(In H ₂ O)*	(dB)*1,*2
05015UA12N	13.5	9 ~ 16	0.05	0.68	5000	(0.31)	(10.94)	(36.1)	(1.42)	Typ 32
05015UA05N	5.0	4.5 ~ 5.5	0.13	0.65	5000	(0.31)	(10.94)	(36.1)	(1.42)	Typ 32

Rotation : Clockwise as seen from the label side

Airflow Outlet : Label side

*1: Average Values in Free Air. It is the reference value of the soft-tool sample, not guaranteed value.

*2: Measured by Microphone distance 1m.