

Characteristic

- Motor Type
3 Phase DC Brushless Motor
- Direction of Rotation
CW and CCW
- Control-Driver circuit built-in.
- Compact, Light Weight and High Output
- High Efficiency
- Low Noise
- Overcurrent and Locked Rotor Protection

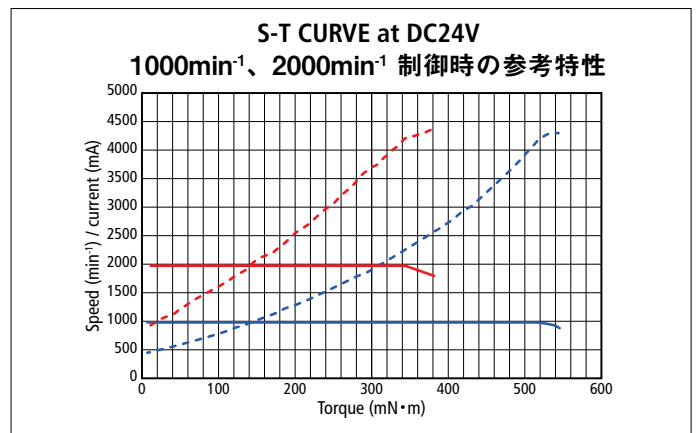


■ $\Phi 68 \times L45$

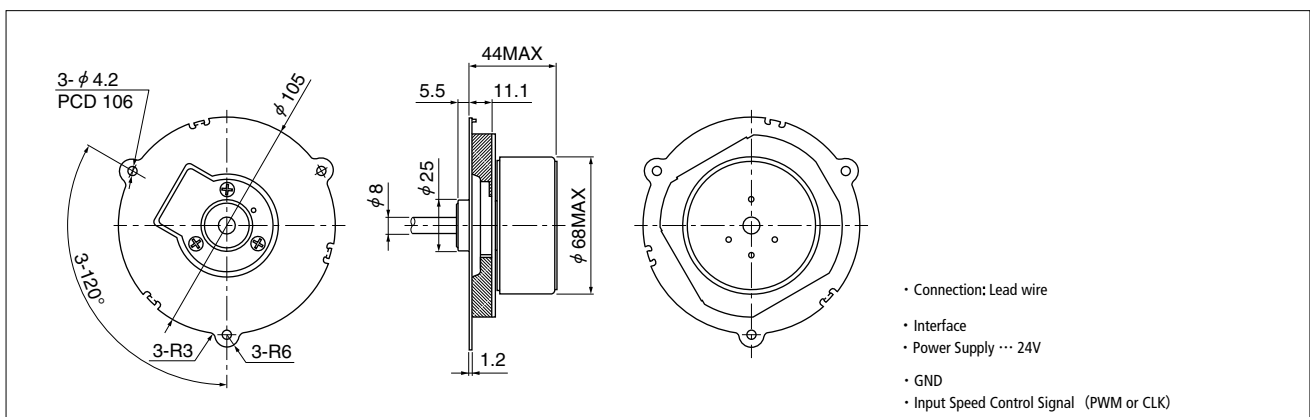
■ DC Brushless motor outer rotor type

Major Characteristic Parameters

Item	Min.	Nom.	Max.	Units
Operating Voltage	21.6	24	26.4	VDC
Operating Speed	300	1000	2000	min ⁻¹
Maximum Rating Power at 2000 min ⁻¹			75	W
Continuous Rating Power at 2000 min ⁻¹			69	W
Operating Temperature	0		50	°C
Operating Humidity	15		90	%RH



Outside Dimension (Reference)



Please contact our sales for detail specification & order lot QTY. (All custom product by customer's requirement)