

Abnormal state IC for gas stove

MM3671



Outline

MM3671 is an abnormality detection IC for gas stoves, and contains flame detection amplifier, battery voltage detection, thermistor temperature detection, and gas valve control. The flame detection amplifier detects the electromotive force of the thermocouple with high accuracy, and shuts off the gas valve safely if the flame is lost during combustion. In addition, battery voltage and thermistor temperature can be detected, and shut off the gas valve safely in abnormality state.

Features

General

- Power supply voltage : 1.96V to 5.5V
(Suitable for battery-powered devices)
- Current consumption : 0.5mA Typ.

flame detection section

- Detect voltage : $-1.8mV \pm 0.5mV$

battery voltage detection section

- Detect voltage : 2.0V or less

thermistor temperature detection section

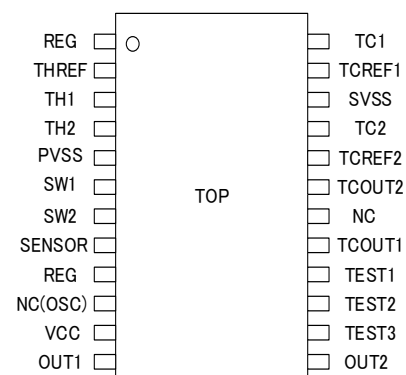
- Detect voltage : $0.478V \pm 3\%$

Applications

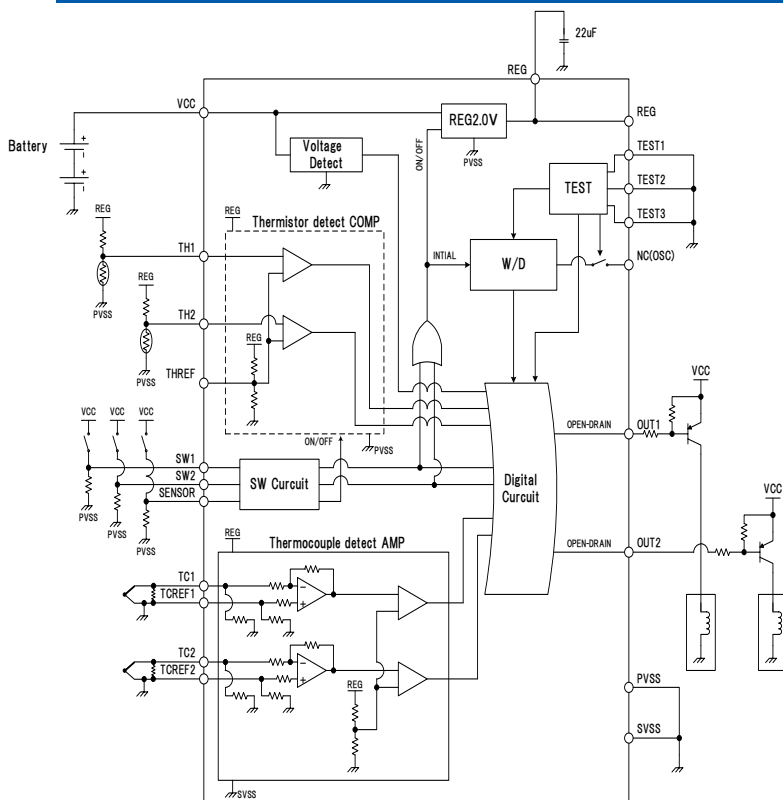
- ① Flame detection: such as gas stove and water heaters
- ② Thermistor temperature detection
- ③ Battery voltage detection
- ④ Amplification and detection

Package

VSOP-24A



Block Diagram



Application Example

