

02510SS

DC Axial Fan Sleeve Bearing

25[□]X10^L

DC FAN

General purpose

Industrial

Server

Refrigerator

Blower



General Specifications

Motor Protection Auto Restart / Polarity Protection

Insulation Resistance 10MΩ or over with a DC500V Megger

Dielectric Withstand Voltage : AC700V 1s

Allowable Ambient : - 10°C ~ +70°C (Operating)
 Temperature Range - 40°C ~ +70°C (Storage)
 non-condensing environment

Outline

Expected Life

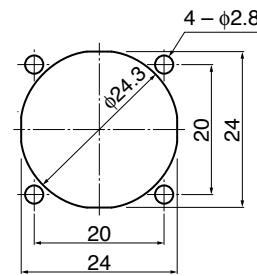
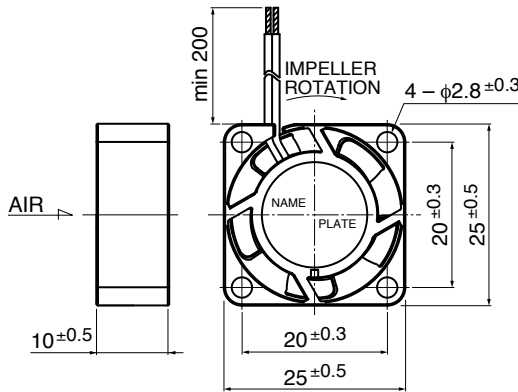
※ Failure Rate: 10% (L10 Life)

40°C 30,000 (Hours)

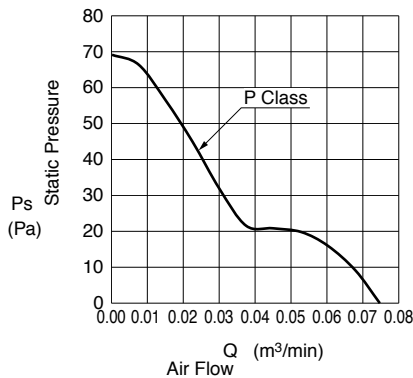
Panel Out-cuts

(Inlet Side)

(Outlet Side)



Characteristic Curves



Material

- Casing : Plastic (Black) UL94V-0
- Impeller : Plastic (Black) UL94V-0
- Bearing : Sleeve Bearing
- Lead Wire : UL1061 AWG26 + : Red, - : Black

Specifications

Model	Product Number	Rating Voltage (V)	Operating Voltage (V)	Current (A)*1	Input Power (W)*1	Speed (min-1)*1	Max Air Flow (m³/min)*1	(CFM)*1	Max Static Pressure (Pa)	(In H2O)*1	Noise (dB)*1	Mass (g)
02510SS-05L-AA-	00	5	4.5 ~ 5	0.07	0.35	8000	0.046	1.62	24.0	0.01	19.5	8
02510SS-05M-AA-	00	5	4.5 ~ 5	0.08	0.40	9500	0.055	1.94	35.0	0.14	21.5	
02510SS-05N-AA-	00	5	4.5 ~ 5	0.14	0.70	11000	0.062	2.19	50.0	0.20	25.0	
02510SS-05P-AA-	00	5	4.5 ~ 5	0.18	0.90	13000	0.075	2.65	68.0	0.27	28.5	
02510SS-12L-AA-	00	12	6 ~ 13.8	0.03	0.36	8000	0.046	1.62	24.0	0.01	19.5	
02510SS-12M-AA-	00	12	6 ~ 13.8	0.04	0.48	9500	0.055	1.94	35.0	0.14	21.5	
02510SS-12N-AA-	00	12	6 ~ 13.8	0.05	0.60	11000	0.062	2.19	50.0	0.20	25.0	
02510SS-12P-AA-	00	12	6 ~ 13.8	0.07	0.84	13000	0.075	2.65	68.0	0.27	28.5	

Rotation: Clockwise as seen from the label side
 Airflow Outlet: Label side

*1: Average Values in Free Air