

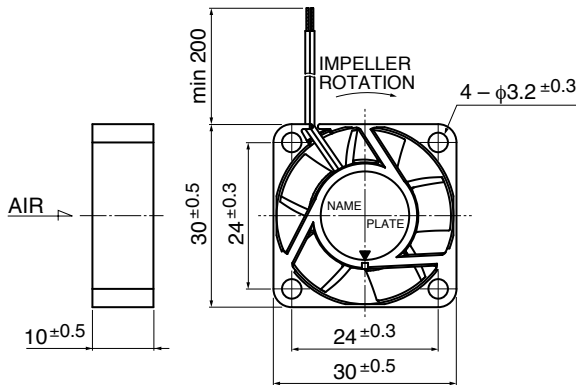
03010SS

DC Axial Fan Sleeve Bearing

30[□]X10^L



Outline



General Specifications

Motor Protection
Auto Restart / Polarity Protection

Insulation Resistance 10MΩ or over with a DC500V Megger

Dielectric Withstand Voltage : AC700V 1s

Allowable Ambient : -10°C ~ +70°C (Operating)

Temperature Range -40°C ~ +70°C (Storage)
non-condensing environment

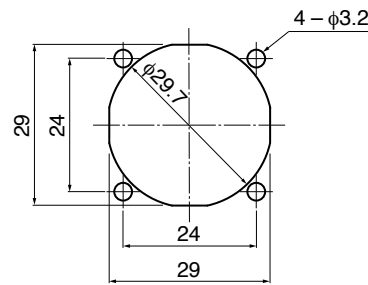
Expected Life ※ Failure Rate: 10% (L10 Life)

40°C 30,000 (Hours)

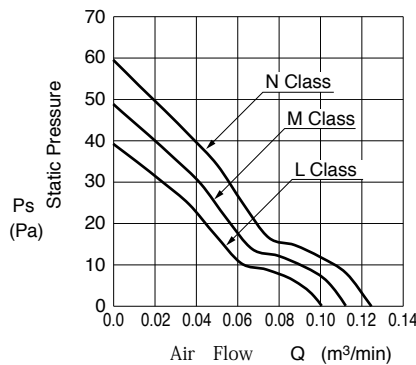
Panel Out-cuts

Inlet Side

Outlet Side



Characteristic Curves



Material

Casing : Plastic (Black) UL94V-0
Impeller : Plastic (Black) UL94V-0
Bearing : Sleeve Bearing
Lead Wire : UL1061 AWG26 + : Red, - : Black

Specifications

Model	Product No.	Rating Voltage	Operating Voltage	Current	Input Power	Speed	Max. Air Flow		Max. Static Pressure	Noise	Mass	
		(V)	(V)	(A)*1	(W)*1	(min ⁻¹)*1	(m ³ /min)*1	(CFM)*1	(Pa)*1	(In H ₂ O)*1	(dB)*1	(g)
03010SS-05L-AA-	00	5	4.5 ~ 5.5	0.12	0.60	8500	0.10	3.5	38.0	0.15	23.5	8.5
03010SS-05M-AA-	00			0.16	0.80	9500	0.11	3.9	48.0	0.19	26.0	
03010SS-05N-AA-	00			0.21	1.05	10500	0.12	4.2	59.0	0.24	28.0	
03010SS-12L-AA-	00	12	7.0 ~ 13.2	0.06	0.72	8500	0.10	3.5	38.0	0.15	26.0	
03010SS-12M-AA-	00			0.07	0.84	9500	0.11	3.9	48.0	0.19	30.0	
03010SS-12N-AA-	00			0.08	0.96	10500	0.12	4.2	59.0	0.24	34.0	

Rotation: Clockwise as seen from the label side
Airflow Outlet: Label side

*1: Average Values in Free Air