

03515SS

DC Axial Fan Sleeve Bearing

35[□]X15^L



General Specifications

Motor Protection Auto Restart / Polarity Protection

Insulation Resistance 10MΩ or over with a DC500V Megger

Dielectric Withstand Voltage : AC700V 1s

Allowable Ambient : - 10°C ~ +70°C (Operating)

Temperature Range - 40°C ~ +70°C (Storage)

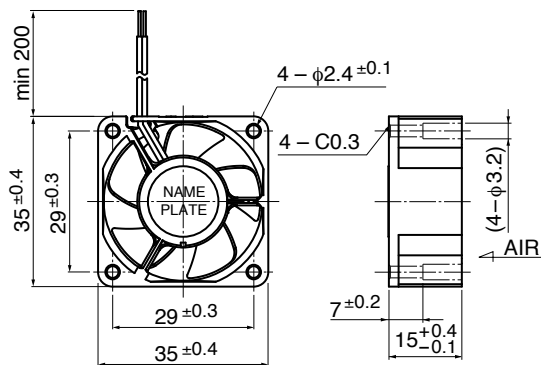
non-condensing environment

Expected Life

※ Failure Rate: 10% (L10 Life)

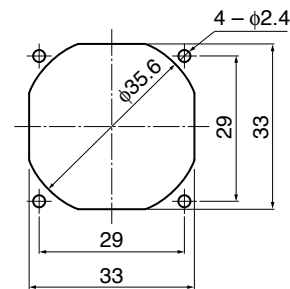
40°C 30,000 (Hours)

Outline

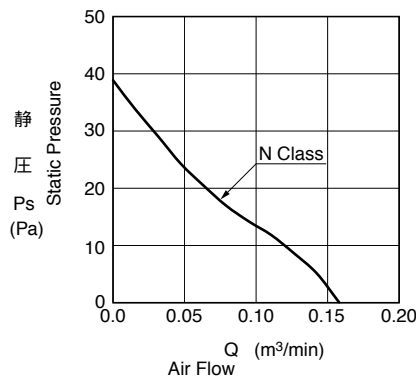


Panel Out-cuts

(Outlet Side)



Characteristic Curves



Material

Casing : Plastic (Black) UL94V-0
 Impeller : Plastic (Black) UL94V-0
 Bearing : Sleeve Bearing
 Lead Wire : UL1061 AWG26 + : Red, - : Black

Specifications

Model	Product No.	Rating Voltage	Operating Voltage	Current	Input Power	Speed	Max. Air Flow		Max. Static Pressure	Noise	Mass	
		(V)	(V)	(A)*1	(W)*1	(min ⁻¹)*1	(m ³ /min)*1	(CFM)*1	(Pa)*1	(In H ₂ O)*1	(dB)*1	(g)
03515SS-05N-AA-	00	5	4.5 ~ 5.5	0.19	0.95	8000	0.16	5.7	35.0	0.14	24.0	12.5
03515SS-12N-AA-	00	12	6.0 ~ 13.2	0.07	0.84	8000	0.16	5.7	35.0	0.14	24.0	12.5

Rotation: Clockwise as seen from the label side
 Airflow Outlet: Label side

*1: Average Values in Free Air