

# 04056DA

## DC Axial Fan

# 40<sup>□</sup>X56<sup>L</sup>



### General Specifications

Motor Protection	Auto Restart / Polarity Protection
Insulation Resistance	10M $\Omega$ or over with a DC500V Megger
Dielectric Withstand Voltage	AC700V 1s
Allowable Ambient Temperature Range	- 10°C ~ + 70°C (Operating) - 40°C ~ + 70°C (Storage) non-condensing environment

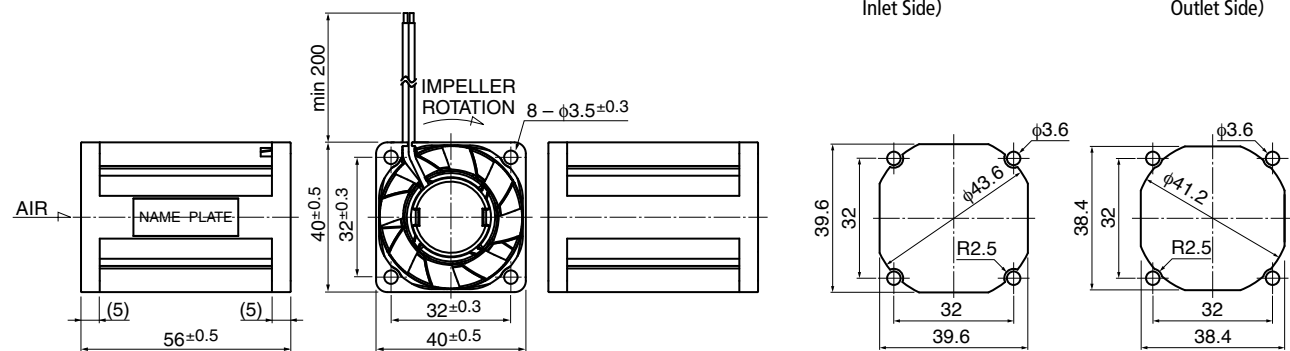
### Outline

### Expected Life

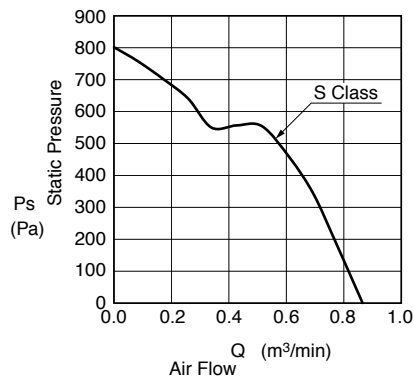
※ Failure Rate: 10% (L10 Life)

40°C 70,000 (Hours)

### Panel Out-cuts



### Characteristic Curves



### Material

Casing	: Plastic (Black) UL94V-0
Impeller	: Plastic (Black) UL94V-0
Bearing	: Ball Bearing
Lead Wire	: UL10368 AWG26 + : Red, - : Black

### Specifications

Model	Product No.	Rating Voltage	Operating Voltage	Current	Input Power	Speed	Max. Air Flow		Max. Static Pressure	Noise	Mass	
		(V)	(V)	(A) <sup>*1</sup>	(W) <sup>*1</sup>	(min <sup>-1</sup> ) <sup>*1</sup>	(m <sup>3</sup> /min) <sup>*1</sup>	(CFM) <sup>*1</sup>	(Pa) <sup>*1</sup>	(In H <sub>2</sub> O) <sup>*1</sup>	(dB) <sup>*1</sup>	(g)
04056DA-12S-E1-	00	12	10.8 ~ 13.2	1.05	12.60	23000	0.86	30.4	800.0	3.21	63.0	62

Rotation: Clockwise as seen from the Fixed Blade side  
Airflow Outlet: Fixed Blade side

\*1: Average Values in Free Air