

PWM and Tach Output Brushless DC Fan 04056EA-12S (F-Type)

NMB

General Specifications

Motor Type:

DC Brushless Three Phase Motor

Motor Protection:

Auto Restart / Polarity Protection (Motor withstands reverse connection for positive and negative leads.)

Insulation Resistance:

10MΩ or over with a DC 500V Megger

Dielectric Withstand Voltage:

AC 700V 1sec or 500V 1min

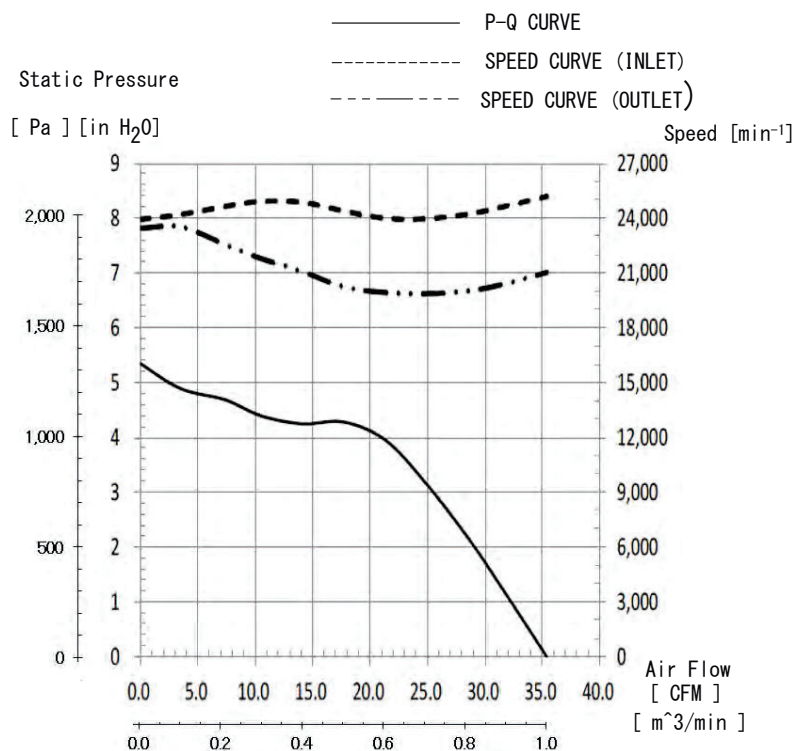
Allowable Ambient Temperature Range:

-10°C ~ + 60°C (Operating)
-30°C ~ + 70°C (Storage)
(non-condensing environment)



*For reference only. Please see fan outline for details

Characteristic Curves



Features

- High performance counter rotating fan with eight wires and PWM with tach signal
- Efficient motor technology, high torque, and aerodynamic impeller design
- Energy saving, low vibration, and increased life expectancy
- Available in 12 volts with tach output and PWM speed control
- Outfitted with NMB precision machined ball bearings for long life

Life Expectancy L10

70,000 Hours at 40°C

*Fan life expectation is based on free air operation at 40°C, rated voltage, and indoor benign lab environment

*1: Values in Free Air

Specifications

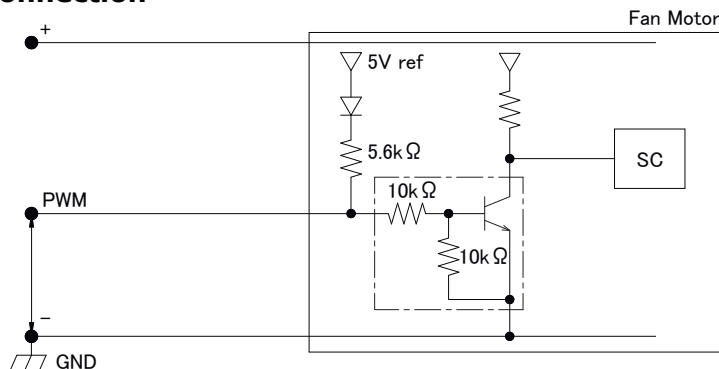
MODEL	Rating Voltage	Operating Voltage	Current		Input Power		Speed Inlet/Outlet	Max. Air Flow		Max. Static Pressure		Noise	Mass
	(V)		Avg	Max	Avg	Max		(CFM)	(m³/min)	(in H ₂ O)	(Pa)		
	(V)		(A)*1	(A)*1	(W)*1	(W)*1	(min ⁻¹)*1	(CFM)	(m³/min)	(in H ₂ O)	(Pa)	(dB)*1	(g)
04056EA-12S-E6F-A	12	10.8 to 13.2	2.20	2.80	26.4	33.6	25,200/21,000	35.3	1.00	5.17	1285	69.5	91.0

PWM and Tach Output Brushless DC Fan 04056EA-12S (F-type)

NMB

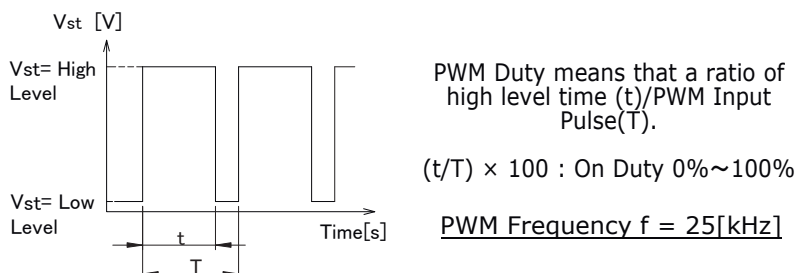
PWM Specifications

Connection



1. PWM Control
 $V_{st} = \text{Low Level (0V} \sim \text{0.4V)} \rightarrow \text{Stop (On Duty 0\%)}$
 $V_{st} = \text{High Level (4.0V} \sim \text{5.0V)} \rightarrow \text{Full Speed (On Duty 100\%)}$
 $V_{st} = \text{Open} \rightarrow \text{Full Speed}$

2. PWM Duty & PWM Input Pulse

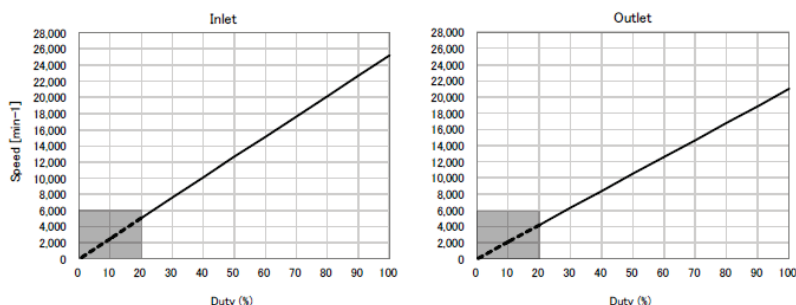


3. The condition for PWM control are as follows

- When you use this under PWM control, always be sure the motor's operation under practical mounting state. Fan motor may not start up caused by PWM control at very low speed condition.)
- To run at Rating Voltage
- Please use the start with Duty 20% or more at 25kHz. [At rated voltage input, Ambient temperature 25°C]

PWM Characteristic Curve

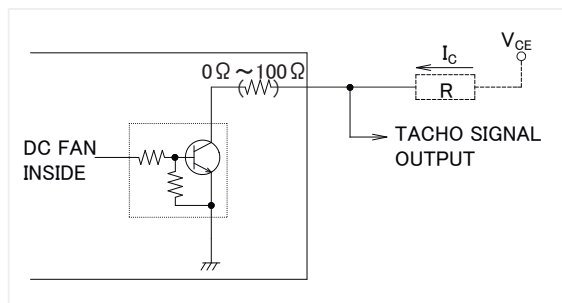
Reference PWM Duty vs Speed
 Conditions : At Rating Voltage, $V_{st}(H)=5.0V$, $f=25\text{kHz}$, $T_a=25^\circ\text{C}$



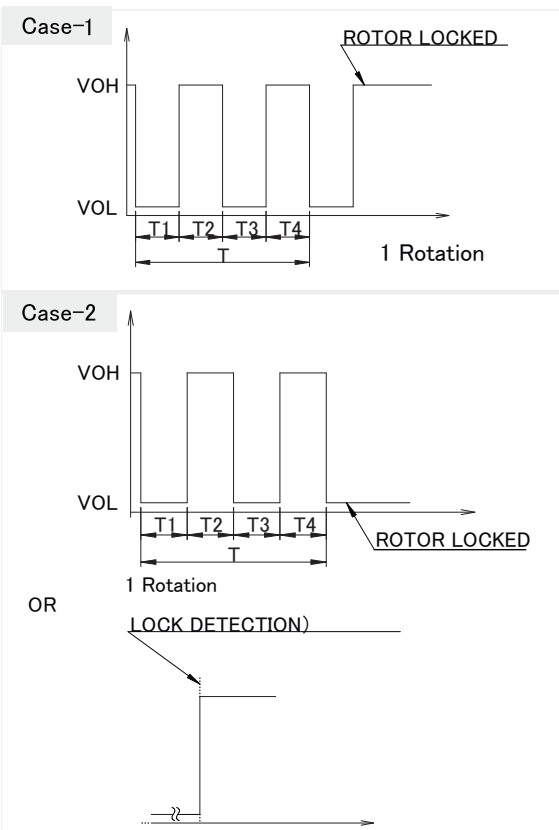
TACHO Specifications

Tachometer Signal

1. Output Circuit: Open Collector
2. Specification
Absolute Maximum Ratings at $T_a=25^\circ\text{C}$
 $V_{CEmax}: +15V$
 $I_{Cmax}: 5mA [V_{CE}(sat)max=1.5V]$



3. Output Waveform: At Rated Voltage Output Signal Voltage



- 1) When the rotor is locked at VOH position of signal, signal keeps VOH position.
- 2) When the rotor is locked at VOL position of signal, signal keeps VOL position.
- 3) $T=T_1+T_2+T_3+T_4=60/m=1 \text{ rotation}$

$m: \text{Fan Speed (min}^{-1}\text{)}$

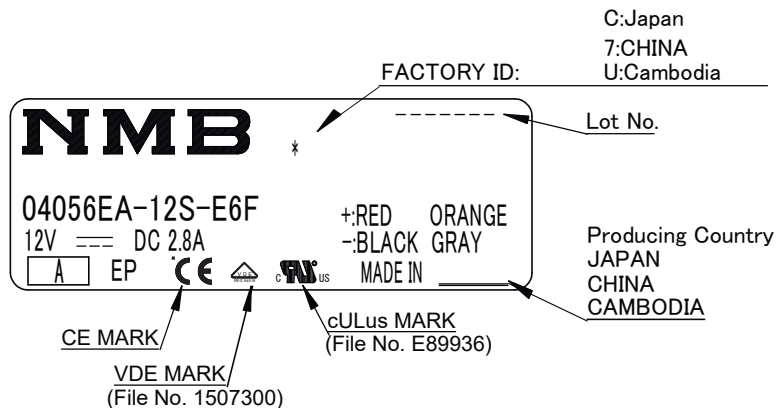
Tacho Duty Cycle=50%±10%

PWM and Tach Output Brushless DC Fan 04056EA-12S (F-Type)

NMB

Outlines

(Name Plate)

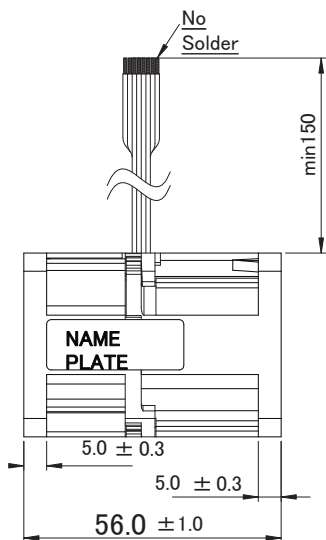
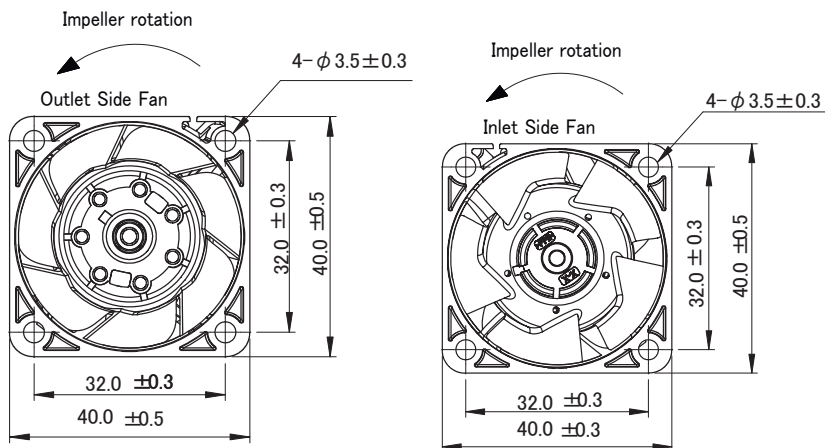


Materials

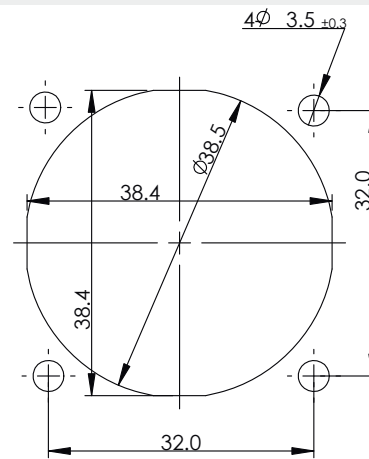
Casing: Plastic (Black UL94V-0)
Impeller: Plastic (Black UL94V-0)
Bearing: Steel Ball Bearing
Lead Wire: UL10368 AWG26 or AWG28 or Equivalent

[INLET FAN]	[OUTLET FAN]
(+)/Red	(+)/Orange
(-)/Black	(-)/Gray
(TACH)/White	(TACH)/Yellow
(PWM)/Brown	(PWM)/Blue

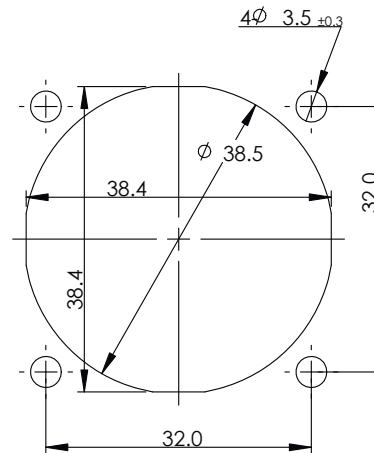
(Outline)



(Panel Out-line)



Inlet Side



Outlet Side