

06025SS

DC Axial Fan Sleeve Bearing

60[□]X25^L



General Specifications

Motor Protection Auto Restart / Polarity Protection

Insulation Resistance 10MΩ or over with a DC500V Megger

Dielectric Withstand Voltage : AC700V 1s

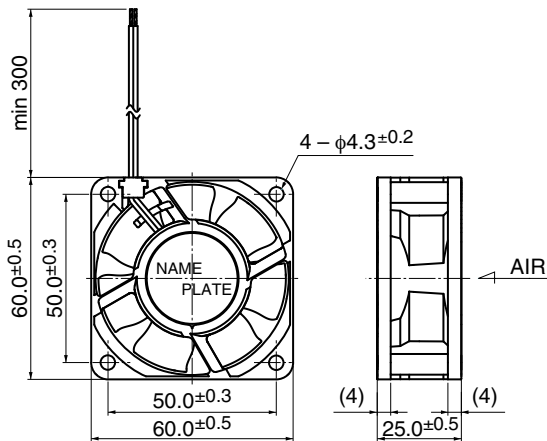
Allowable Ambient : L, M Class : -10°C ~ +70°C (Operating)

Temperature Range N, R Class : -10°C ~ +60°C (Operating)

-40°C ~ +70°C (Storage)

non-condensing environment

Outline



* Outline is A (Rib) type.

Expected Life

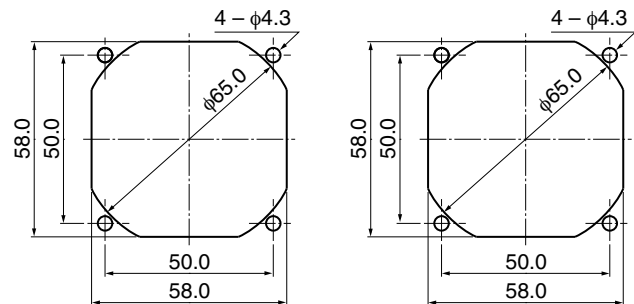
※ Failure Rate: 10% (L10 Life)

40°C 50,000 (Hours)

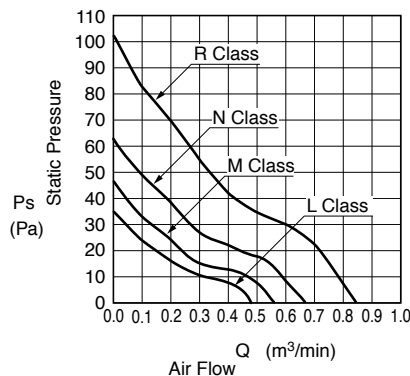
Panel Out-cuts

(Inlet Side)

(Outlet Side)



Characteristic Curves



Material

Casing : Plastic (Black) UL94V-0
 Impeller : Plastic (Black) UL94V-0
 Bearing : Sleeve Bearing
 Lead Wire : UL1007 AWG26 + : Red, - : Black

Specifications

□ = Casing Form --- A: Rib Type, E: Flange Type

Model	Product No.	Rating Voltage	Operating Voltage	Current	Input Power	Speed	Max. Air Flow		Max. Static Pressure	Noise	Mass	
		(V)	(V)	(A)*1	(W)*1	(min ⁻¹)*1	(m ³ /min)*1	(CFM)*1	(Pa)*1	(In H ₂ O)*1	(dB)*1	(g)
06025SS-12L-□A-	D0	12	6.0 ~ 13.8	0.09	1.08	3500	0.48	16.9	35.0	0.14	23.5	65
06025SS-12M-□A-	D0			0.12	1.44	4000	0.56	19.8	46.0	0.18	27.5	
06025SS-12N-□A-	D0			0.18	2.16	4700	0.66	23.3	63.0	0.25	33.0	
06025SS-24L-□A-	D0	24	10.0 ~ 27.6	0.05	1.20	3500	0.48	16.9	35.0	0.14	23.5	
06025SS-24M-□A-	D0			0.06	1.44	4000	0.56	19.8	46.0	0.18	27.5	
06025SS-24N-□A-	D0			0.09	2.16	4700	0.66	23.3	63.0	0.25	33.0	
06025SS-24R-□A-	D0		10.0 ~ 26.4	0.15	3.60	6000	0.85	30.0	101.0	0.40	38.5	

Rotation: Clockwise as seen from the label side
 Airflow Outlet: Label side

*1: Average Values in Free Air