

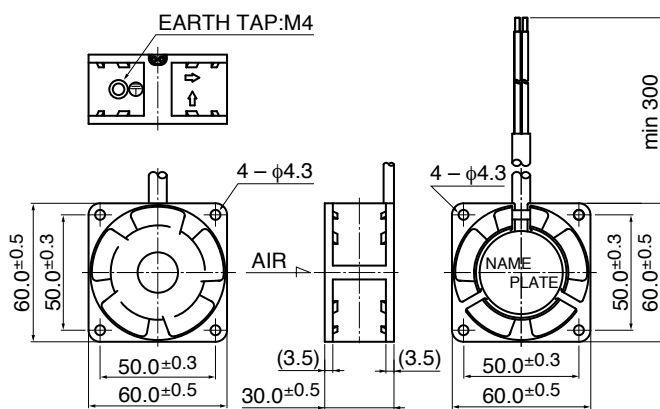
06030PB (2412PS)

60[□]X30^L

AC Axial Fan



Outline



* Only flange type casing is available.

General Specifications

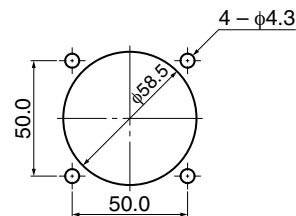
- Motor Structure : Shaded Pole Induction Motor
- Motor Protection : Impedance Protection
- Insulation Resistance Min : 100MΩ by DC 500V Megger
- Dielectric Withstand Voltage : AC1800V 3s
- Allowable Ambient : - 10°C ~ + 70°C (Operating)
- Temperature Range : - 40°C ~ + 70°C (Storage)
- non-condensing environment

Expected Life ※ Failure Rate: 10% (L10 Life)

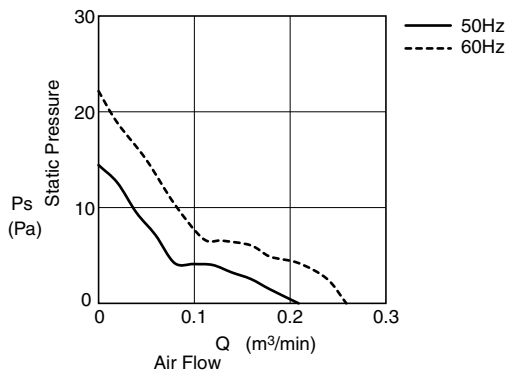
25°C 100,000 (Hours)

Panel Out-cuts

(Inlet Side) / Outlet Side



Characteristic Curves



Material

- Casing : Aluminum (Black Painting)
- Impeller : Plastic (Black) UL94V-0
- Bearing : Ball Bearing
- Lead Wire : UL3266, AWG22

Specifications

Model	Product No.	Rating Voltage	Frequency	Starting Voltage	Current	Input Power	Speed	Max. Air Flow		Max. Static Pressure		Noise	Mass
		(V)	(Hz)	(V)	(A)*2	(W) ^{+10% -20%}	(min ⁻¹)*3	(m ³ /min)*1	(CFM)*1	(Pa)*1	(In H ₂ O)*1	(dB)*1	(g)
06030PB-A0L-AA-	00	100	50	65	0.080	6.0	2000	0.20	7.1	13.7	0.05	28.0	140
			60		0.070	5.0	2600	0.26	9.3	22.6	0.09	29.0	
06030PB-A1L-AA-	00	115	50	65	0.070	4.5	2000	0.20	7.1	13.7	0.05	28.0	
			60		0.060	4.0	2600	0.26	9.3	22.6	0.09	29.0	

Rotation: Counterclockwise as seen from the label side
Airflow Outlet: Label side

*1: Average Values in Free Air
*2: Maximum Values in Free Air
*3: Minimum Values in Free Air