

06038RA (2415RL)

DC Axial Fan

60[□]X38^L



General Specifications

Motor Protection : Auto Restart / Polarity Protection
 Insulation Resistance : 10MΩ or over with a DC500V Megger
 Dielectric Withstand Voltage : AC700V 1s
 Allowable Ambient : Q, R class : -10°C ~ +70°C (Operating)
 Temperature Range : S class : -10°C ~ +70°C (Operating:12V)
 S class : -10°C ~ +60°C (Operating:24V)
 -40°C ~ +70°C (Storage)
 non-condensing environment

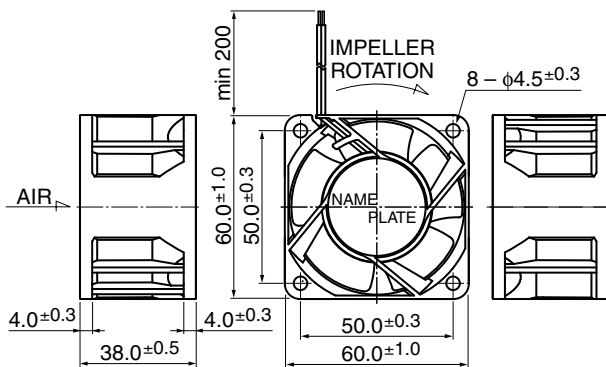
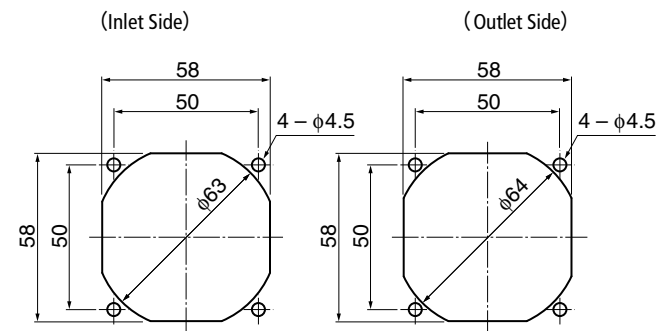
Outline

Expected Life

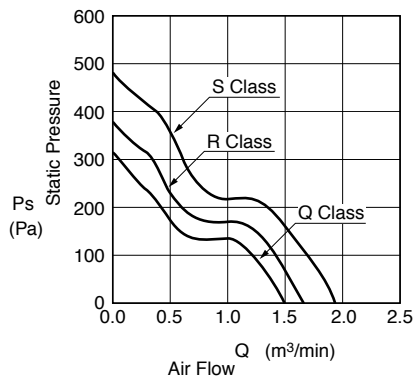
※ Failure Rate: 10% (L10 Life)

25°C 80,000 (Hours)

Panel Out-cuts



Characteristic Curves



Material

Casing : Plastic (Black) UL94V-0
 Impeller : Plastic (Black) UL94V-0
 Bearing : Ball Bearing
 Lead Wire : UL10368 AWG24 + : Red, - : Black

Customize service for IP compatible type and Oil-proof type is available for this item. Please contact to our sales representative for more detail.

Specifications

Model	Product No.	Rating Voltage	Operating Voltage	Current	Input Power	Speed	Max. Air Flow		Max. Static Pressure	Noise	Mass	
		(V)	(V)	(A)*1	(W)*1	(min ⁻¹)*1	(m ³ /min)*1	(CFM)*1	(Pa)*1	(In H ₂ O)*1	(dB)*1	(g)
06038RA-12Q-EA	00	12	7 ~ 13.8	0.77	9.24	10000	1.51	53.3	308.3	1.23	56.0	125
06038RA-12R-EA	00			1.00	12.00	11000	1.67	59.0	380.0	1.52	58.0	
06038RA-12S-EA	00		10.8 ~ 13.2	1.45	17.40	12500	1.93	68.1	480.0	1.92	61.0	
06038RA-24Q-EA	00	24	15 ~ 26.4	0.43	10.32	10000	1.51	53.3	308.3	1.23	56.0	125
06038RA-24R-EA	00			0.55	13.20	11000	1.67	59.0	380.0	1.52	58.0	
06038RA-24S-EA	00			0.77	18.48	12500	1.93	68.1	480.0	1.92	61.0	

Rotation: Clockwise as seen from the label side
 Airflow Outlet: Label side

*1: Average Values in Free Air