

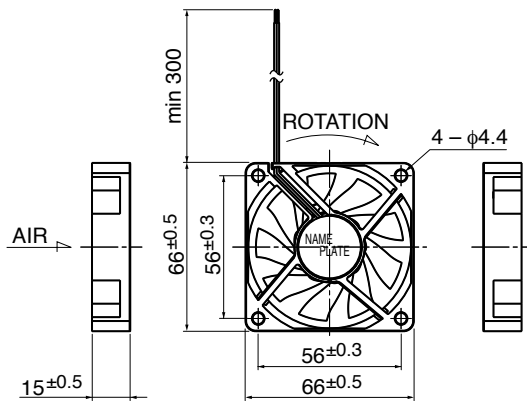
06615JS for Evaporator

66[□]X15^L

DC Axial Fan



Outline



General Specifications

- Motor Protection : Auto Restart
- Insulation Resistance : 10MΩ or over with a DC500V Megger
- Dielectric Withstand Voltage : AC700V 1s
- Allowable Ambient : - 40°C ~ + 40°C (Operating)
- Temperature Range : - 40°C ~ + 60°C (Storage)
- non-condensing environment

Expected Life

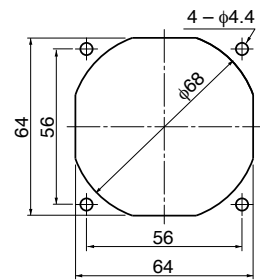
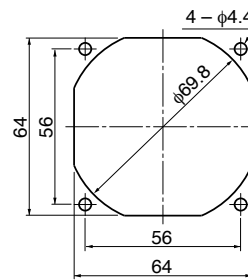
※ Failure Rate: 10% (L10 Life)

25°C 40,000 (Hours)

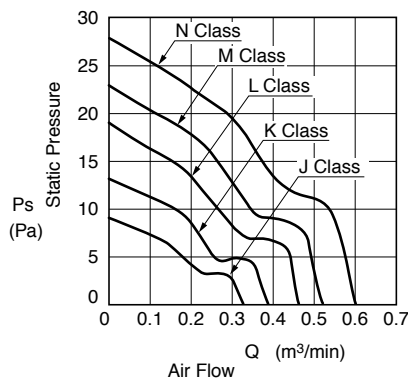
Panel Out-cuts

(Inlet Side)

(Outlet Side)



Characteristic Curves



Material

- Casing : Plastic (Black) 94V-0
- Impeller : Plastic (Black) 94V-0
- Bearing : Sleeve Bearing
- Lead Wire : UL1061 AWG24 + : Red, - : Black

Specifications

Model	Product No.	Rating Voltage	Operating Voltage	Current	Input Power	Speed	Max. Air Flow		Max. Static Pressure		Noise	Mass
		(V)	(V)				(m³/min)*1	(CFM)*1	(Pa)	(In H ₂ O)		
06615JS-12J-BA-	FO	12	7.0 ~ 13.2	0.04	0.48	2600	0.33	11.7	9.1	0.04	22.5	42
06615JS-12K-BA-	FO			0.06	0.72	3100	0.39	13.8	13.2	0.05	27.5	
06615JS-12L-BA-	FO			0.08	0.96	3600	0.45	15.9	19.0	0.08	32.0	
06615JS-12M-BA-	FO			0.12	1.44	4100	0.52	18.4	23.0	0.09	35.5	
06615JS-12N-BA-	FO			0.19	2.28	4600	0.60	21.2	28.0	0.11	39.0	

Rotation: Clockwise as seen from the label side
Airflow Outlet: Label side

*1: Average Values in Free Air