

# 08020SS

80<sup>□</sup>X20<sup>L</sup>

## DC Axial Fan Sleeve Bearing

DC FAN

General purpose

Industrial

Server

Refrigerator

Blower



### General Specifications

- Motor Protection : Auto Restart / Polarity Protection
- Insulation Resistance : 10MΩ or over with a DC500V Megger
- Dielectric Withstand Voltage : AC700V 1s
- Allowable Ambient Temperature Range : -10°C ~ +70°C (Operating)  
-40°C ~ +70°C (Storage)  
non-condensing environment

### Outline

### Expected Life

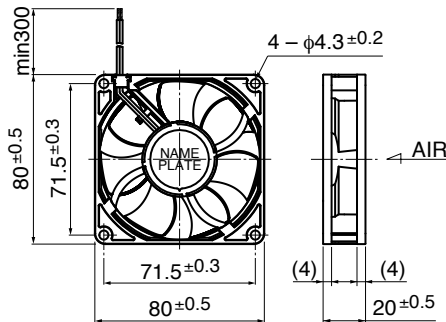
※ Failure Rate: 10% (L10 Life)

40°C 50,000 (Hours)

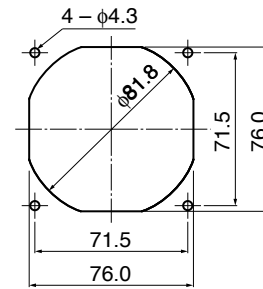
### Panel Out-cuts

(Inlet Side)

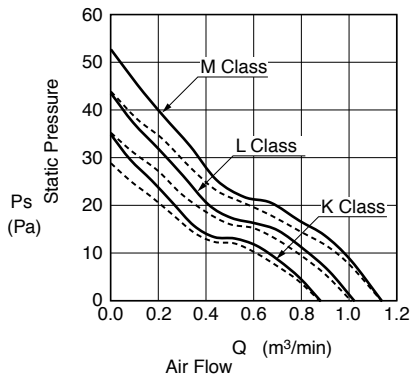
(Outlet Side)



\* Outline is A (Rib) type.



### Characteristic Curves



### Material

- Casing : Plastic (Black) UL94V-0
- Impeller : Plastic (Black) UL94V-0
- Bearing : Sleeve Bearing
- Lead Wire : UL1007 AWG26 + : Red, - : Black

### Specifications

□ = Casing Form --- A: Rib Type, E: Flange Type

Model	Product No.	Rating Voltage	Operating Voltage	Current	Input Power	Speed	Max. Air Flow		Max. Static Pressure		Noise	Mass
		(V)	(V)	(A)*1	(W)*1	(min <sup>-1</sup> )*1	(m <sup>3</sup> /min)*1	(CFM)*1	(Pa)*1	(In H <sub>2</sub> O)*1	(dB)*1	(g)
08020SS-12K-□A-	00	12	6.0 ~ 13.8	0.08	0.96	2900	0.88	31.1	34.9	0.14	31.0	75
08020SS-12L-□A-	00			0.11	1.32	3300	1.02	36.0	43.6	0.18	34.0	
08020SS-12M-□A-	00			0.15	1.80	3700	1.13	39.9	52.8	0.21	37.5	
08020SS-24K-□A-	00	24	12.0 ~ 27.6	0.06	1.44	2900	0.88	31.1	28.5	0.11	31.0	
08020SS-24L-□A-	00			0.07	1.68	3300	1.02	36.1	35.0	0.14	34.0	
08020SS-24M-□A-	00			0.09	2.16	3700	1.13	39.9	44.0	0.18	37.5	

Rotation: Clockwise as seen from the label side  
Airflow Outlet: Label side

\*1: Average Values in Free Air