

08025DC

DC Axial Fan

80[□]X25^L



General Specifications

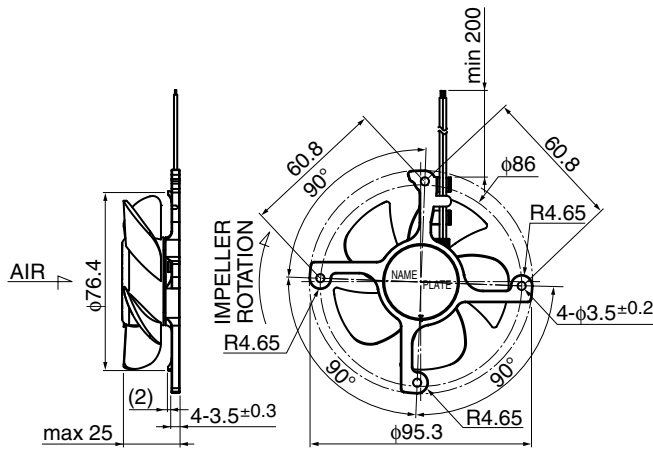
| | |
|-------------------------------------|--|
| Motor Protection | Auto Restart / Polarity Protection |
| Insulation Resistance | 10MΩ or over with a DC500V Megger |
| Dielectric Withstand Voltage | AC700V 1s |
| Allowable Ambient Temperature Range | - 10°C ~ +85°C (Operating) - 40°C ~ +85°C (Storage) non-condensing environment |

Expected Life

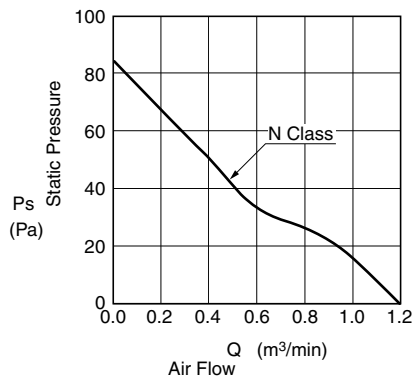
※ Failure Rate: 10% (L10 Life)

85°C 40,000 (Hours)

Outline



Characteristic Curves



Material

| | |
|-----------|-----------------------------------|
| Casing | : Aluminum (No Paint) |
| Impeller | : Plastic (Black) UL94V-0 |
| Bearing | : Ball Bearing |
| Lead Wire | : UL3266 AWG24 + : Red, - : Black |

Customize service for IP compatible type and Oil-proof type is available for this item. Please contact to our sales representative for more detail.

Specifications

| Model | Product No. | Rating Voltage | Operating Voltage | Current | Input Power | Speed | Max. Air Flow | | Max. Static Pressure | | Noise | Mass |
|------------------|-------------|----------------|-------------------|---------|-------------|------------------------|-------------------------|---------|----------------------|-------------------------|--------|------|
| | | (V) | (V) | (A)*1 | (W)*1 | (min ⁻¹)*1 | (m ³ /min)*1 | (CFM)*1 | (Pa)*1 | (In H ₂ O)*1 | (dB)*1 | (g) |
| 08025DC-12N-WAA- | 0 | 12 | 10 ~ 13.2 | 0.19 | 2.28 | 4550 | 1.20 | 42.4 | 84.0 | 0.34 | 36.0 | 75 |

Rotation: Clockwise as seen from the label side
Airflow Outlet: Label side

*1: Average Values in Free Air
*2: Measured by dedicated the casing