

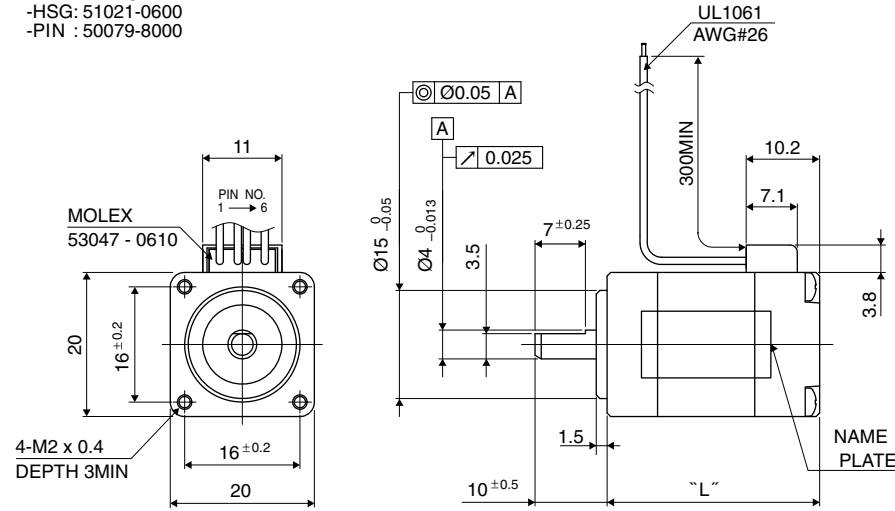
20□ 1.8°

08PM-K

1.8°

Outline

- LEAD WIRE SIDE
- HSG: 51021-0600
- PIN : 50079-8000



Hybrid

UNIT: mm
(inch)

	"L"
08PM-K0**	30(1.18)
08PM-K1**	40(1.57)

PIN NO. vs. PHASE

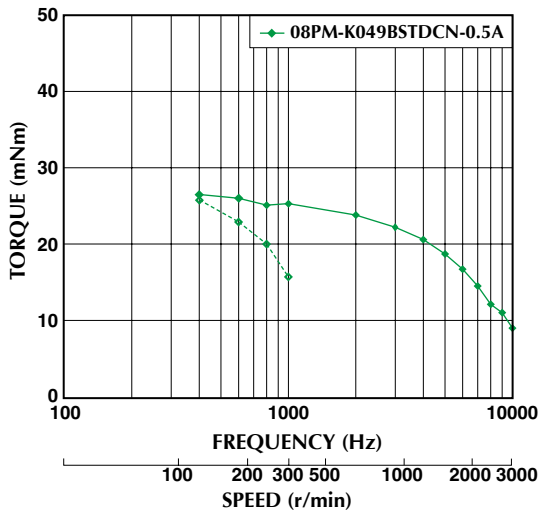
(PHASE)	A	B	\bar{A}	\bar{B}
(PIN NO.)	4	3	6	1

Specifications

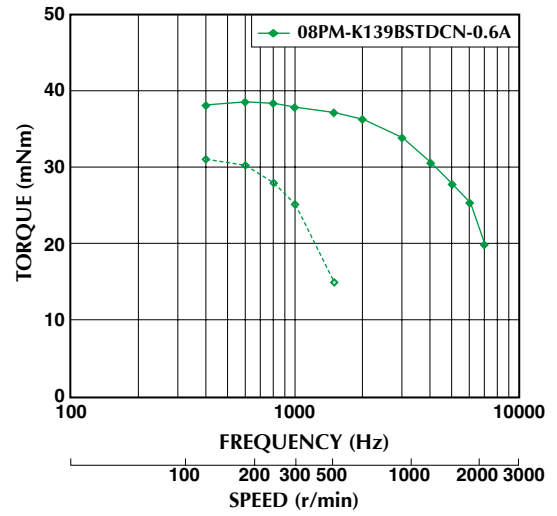
Model	Step Angle (deg)	Drive Sequence	Rated Current (A)	Resistance (Ohms)	Holding Torque (mNm)	Inductance (mH)	Rotor Inertia (g·cm ²)	Detent Torque (mNm)	Mass (g)
08PM-K049BSTDCN	1.8	BI-POLAR	0.5	8.5	20	3.8	1.6	2.0	50
08PM-K139BSTDCN	1.8	BI-POLAR	0.6	6.5	36	3.2	2.9	2.5	70

Torque/Speed Characteristics

Model No: 08PM-K049BSTDCN
 Driver: Chopper Dual
 Supply Voltage: 24.0 V (DC)



Model No: 08PM-K139BSTDCN
 Driver: Chopper Dual
 Supply Voltage: 24.0 V (DC)



Torque/Speed characteristics are for reference only and it may change when operated at different drive conditions.

— : PULL OUT
 - - - : PULL IN