

09225JS for Condenser

DC Axial Fan

92[□]X25^L

DC FAN

General purpose

Industrial

Server

Refrigerator

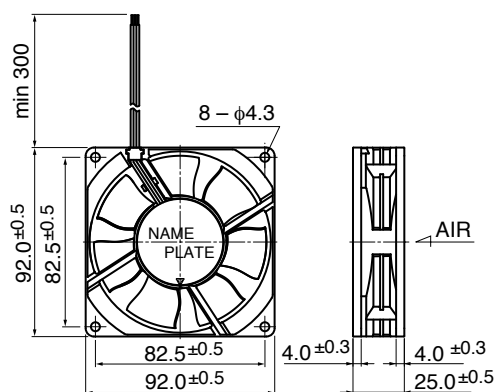
Blower



General Specifications

- Motor Protection : Auto Restart
- Insulation Resistance : 10MΩ or over with a DC500V Megger
- Dielectric Withstand Voltage : AC700V 1s
- Allowable Ambient : - 10°C ~ + 70°C (Operating)
- Temperature Range : - 40°C ~ + 70°C (Storage)
- non-condensing environment

Outline

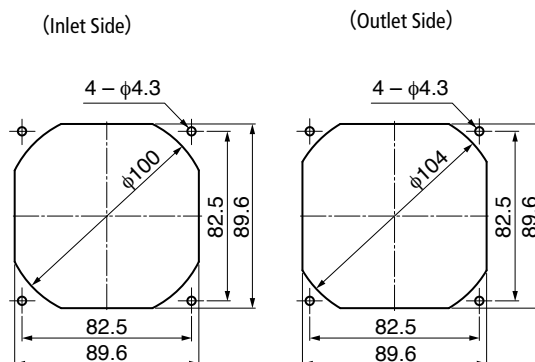


Expected Life

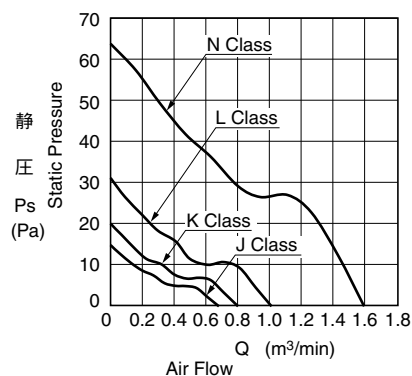
※ Failure Rate: 10% (L10 Life)

40°C 50,000 (Hours)

Panel Out-cuts



Characteristic Curves



Material

- Casing : Plastic (Black) UL94V-0
- Impeller : Plastic (Black) UL94V-0
- Bearing : Sleeve Bearing
- Lead Wire : UL1007 AWG26 + : Red, - : Black

Specifications

Model	Product No.	Rating Voltage	Operating Voltage	Current	Input Power	Speed	Max. Air Flow		Max. Static Pressure		Noise	Mass
		(V)	(V)				(m³/min)*1	(CFM)*1	(Pa)	(In H ₂ O)		
09225JS-12J-FA-	00	12	6.0 ~ 13.2	0.04	0.48	1700	0.68	24.1	14.9	0.06	21.0	108
09225JS-12K-FA-	00			0.06	0.72	2000	0.80	28.3	20.0	0.08	25.5	
09225JS-12L-FA-	00			0.08	0.96	2500	1.01	35.7	31.2	0.13	31.0	
09225JS-24N-FA-	00	24	20.4 ~ 26.4	0.16	3.84	3900	1.59	56.1	64.0	0.26	43.0	

Rotation: Clockwise as seen from the label side
Airflow Outlet: Label side

*1: Average Values in Free Air