

# 09225SS

92<sup>□</sup>X25<sup>L</sup>

## DC Axial Fan Sleeve Bearing

DC FAN

General purpose

Industrial

Server

Refrigerator

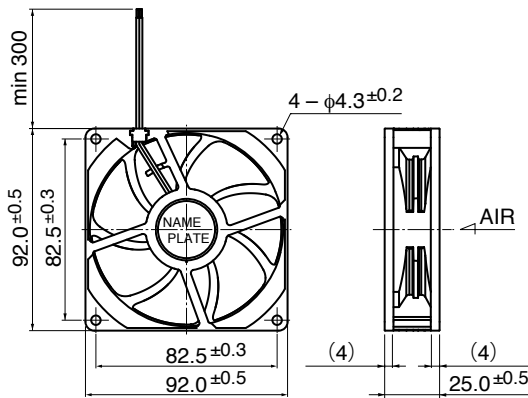
Blower



### General Specifications

- Motor Protection : Auto Restart / Polarity Protection
- Insulation Resistance : 10MΩ or over with a DC500V Megger
- Dielectric Withstand Voltage : AC700V 1s
- Allowable Ambient : -10°C ~ +70°C (Operating)
- Temperature Range : -40°C ~ +70°C (Storage)  
non-condensing environment

### Outline



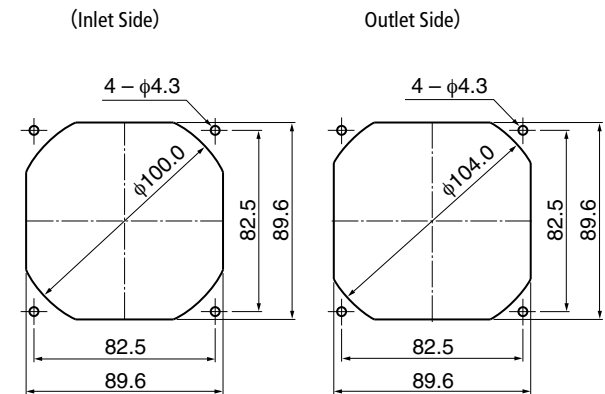
\* Outline is A (Rib) type.

### Expected Life

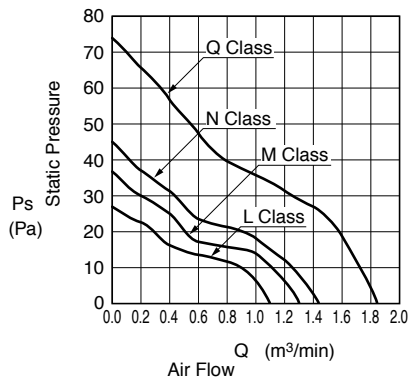
※ Failure Rate: 10% (L10 Life)

40°C 50,000 (Hours)

### Panel Out-cuts



### Characteristic Curves



### Material

- Casing : Plastic (Black) UL94V-0
- Impeller : Plastic (Black) UL94V-0
- Bearing : Sleeve Bearing
- Lead Wire : UL1007 AWG26 + : Red, - : Black

### Specifications

□ = Casing Form --- A: Rib Type, E: Flange Type

Model	Product No.	Rating Voltage	Operating Voltage	Current	Input Power	Speed	Max. Air Flow		Max. Static Pressure		Noise	Mass
		(V)	(V)	(A)*1	(W)*1	(min <sup>-1</sup> )*1	(m <sup>3</sup> /min)*1	(CFM)*1	(Pa)*1	(In H <sub>2</sub> O)*1	(dB)*1	(g)
09225SS-12L-□A-	D0	12	6.0 ~ 13.8	0.09	1.08	2400	1.13	39.9	29.0	0.12	25.0	102
09225SS-12M-□A-	D0			0.14	1.68	2750	1.28	45.2	36.2	0.14	29.0	
09225SS-12N-□A-	D0			0.16	1.92	3100	1.45	51.2	45.0	0.18	32.0	
09225SS-12Q-□A-	D0			0.28	3.36	3900	1.84	65.0	73.0	0.29	40.0	
09225SS-24L-□A-	D0	24	15.0 ~ 27.6	0.07	1.68	2400	1.13	39.9	29.0	0.12	25.0	
09225SS-24M-□A-	D0			0.09	2.16	2750	1.28	45.2	36.2	0.14	29.0	
09225SS-24N-□A-	D0			0.12	2.88	3100	1.45	51.2	45.0	0.18	32.0	
09225SS-24Q-□A-	D0			0.15	3.60	3900	1.84	65.0	73.0	0.29	40.0	

Rotation: Clockwise as seen from the label side  
Airflow Outlet: Label side

\*1: Average Values in Free Air