

# 09232JE for Evaporator

# 92<sup>□</sup>X32<sup>L</sup>

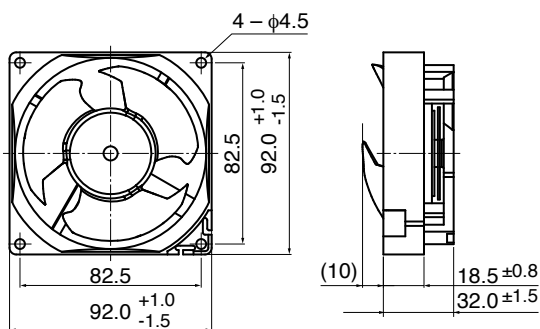
## DC Axial Fan



### General Specifications

Motor Protection	Auto Restart
Insulation Resistance	10MΩ or over with a DC500V Megger
Dielectric Withstand Voltage	: AC700V 1s
Allowable Ambient	: - 40°C ~ + 40°C (Operating)
Temperature Range	- 40°C ~ + 70°C (Storage)
	non-condensing environment

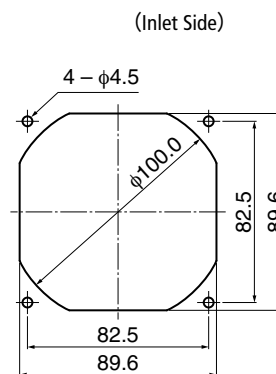
### Outline



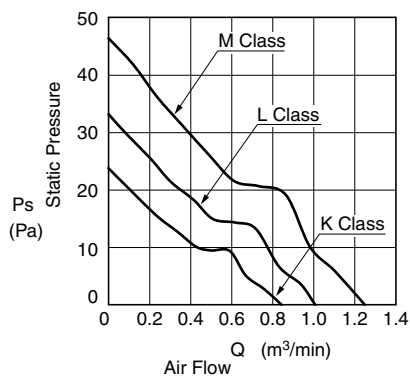
### Expected Life ※ Failure Rate: 10% (L10 Life)

-20°C 70,000 (Hours)

### Panel Out-cuts



### Characteristic Curves



### Material

Casing	: Plastic (Black) UL94V-0
Impeller	: Plastic (Black) UL94V-0
Bearing	: Ball Bearing
Lead Wire	: UL1007 AWG26 + : Red, - : Black

### Specifications

Model	Product No.	Rating Voltage	Operating Voltage	Current	Input Power	Speed	Max. Air Flow		Max. Static Pressure		Noise	Mass
		(V)	(V)				(m³/min)*1	(CFM)*1	(Pa)	(In H <sub>2</sub> O)		
09232JE-12K-BA-	F0	12	7.0 ~ 13.2	0.06	0.72	2400	0.84	29.7	23.6	0.09	25.5	130
09232JE-12L-BA-	F0			0.08	0.96	2800	1.00	35.3	33.0	0.13	29.5	
09232JE-12M-BA-	F0			0.13	1.56	3350	1.24	43.8	46.3	0.19	34.5	

Rotation: Clockwise as seen from the label side  
Airflow Outlet: Label side

\*1: Average Values in Free Air