

# 09232VA (3612VL)

# 92<sup>□</sup>X32<sup>L</sup>

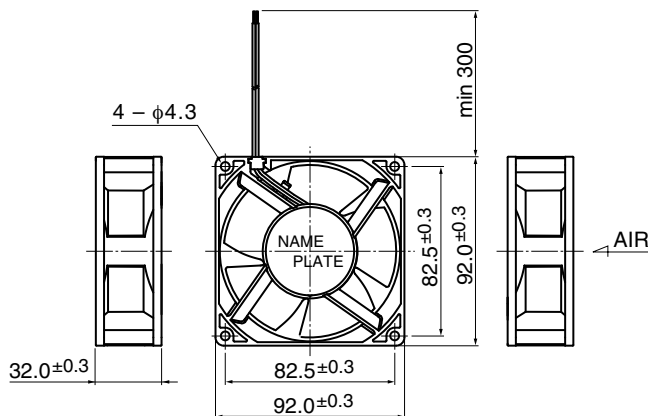
## DC Axial Fan



### General Specifications

Motor Protection	Auto Restart / Polarity Protection
Insulation Resistance	10MΩ or over with a DC500V Megger
Dielectric Withstand Voltage	: AC700V 1s
Allowable Ambient Temperature Range	: - 10°C ~ + 70°C (Operating) - 40°C ~ + 70°C (Storage) non-condensing environment

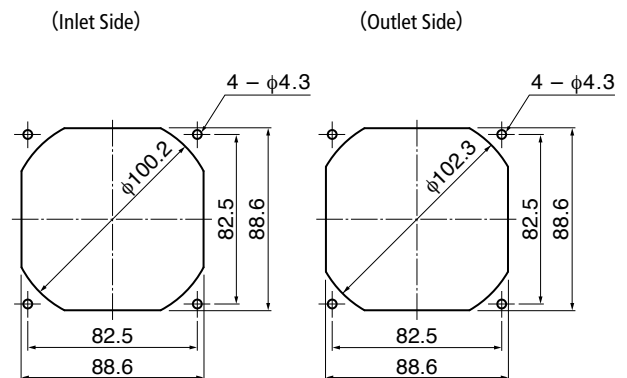
### Outline



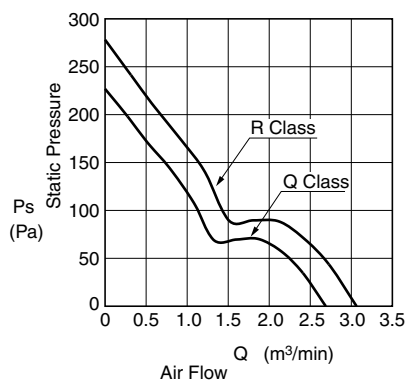
### Expected Life ※ Failure Rate: 10% (L10 Life)

60°C 40,000 (Hours)

### Panel Out-cuts



### Characteristic Curves



### Material

Casing	: Plastic (Black) UL94V-0
Impeller	: Plastic (Black) UL94V-0
Bearing	: Ball Bearing
Lead Wire	: UL3385 AWG24 + : Red, - : Black

Customize service for IP compatible type and Oil-proof type is available for this item. Please contact to our sales representative for more detail.

### Specifications

Model	Product No.	Rating Voltage	Operating Voltage	Current	Input Power	Speed	Max. Air Flow		Max. Static Pressure		Noise	Mass
		(V)	(V)				(m³/min)*1	(CFM)*1	(Pa)	(In H <sub>2</sub> O)		
09232VA-24Q-AAS-	0	24	10 ~ 26.4	0.35	8.40	6200	2.60	91.8	225.0	0.90	56.0	200
09232VA-24R-AAS-	0			0.50	12.00	7000	3.00	105.9	275.0	1.10	59.0	

Rotation: Clockwise as seen from the label side  
Airflow Outlet: Label side

\*1: Average Values in Free Air