

PWM and IP Protected DC Fan 09238RG-24P (D-Type)

NMB

General Specifications

Motor Type:

DC Brushless Motor

Motor Protection:

Auto Restart / Polarity Protection (Motor withstands reverse connection for positive and negative leads.)

Insulation Resistance:

10MΩ or over with a DC 500V Megger

Dielectric Withstand Voltage:

AC 500V 1min or AC 700V 1sec

Allowable Ambient Temperature Range:

-10°C ~ + 70°C (Operating)

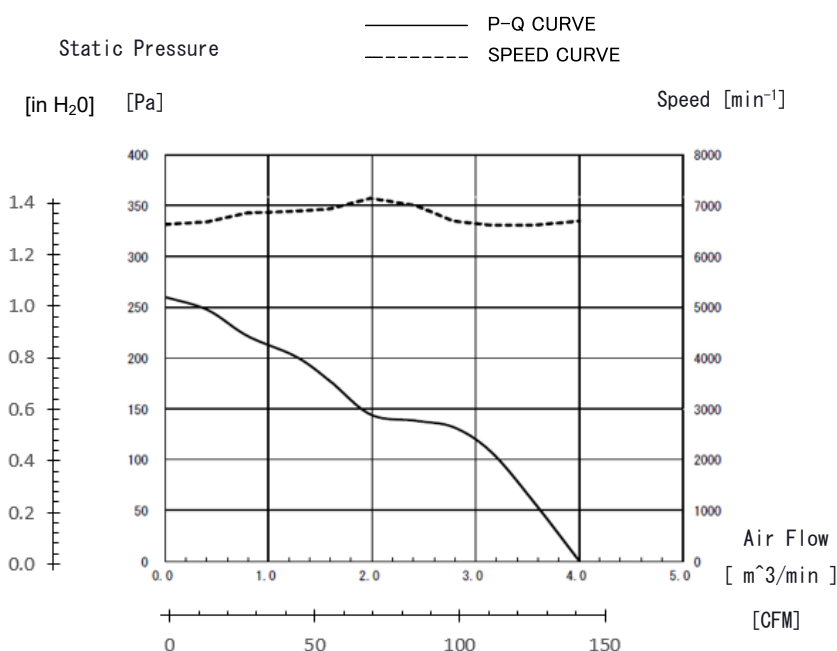
-40°C ~ + 70°C (Storage)

(non-condensing environment)



*For reference only. Please see fan outline for details

Characteristic Curves



Features

- DC axial fan with outstanding P-Q performance, PWM speed control, tach output and IP68 potting
- Vertically integrated manufacturing, with components made in-house
- IP68 potting offers highest level of protection from water/dust ingress
- Outfitted with NMB precision machined ceramic ball bearings for long life and high temperature
- Ideal for applications such as EV chargers, PV inverters, telecom cabinets, small cell 5G network and outdoor applications

Life Expectancy L10

100,000 Hours at 25 Celsius

*Fan life expectation is based on free air operation at 25°C, rated voltage, and indoor benign lab environment

*1: Values in Free Air

Specifications

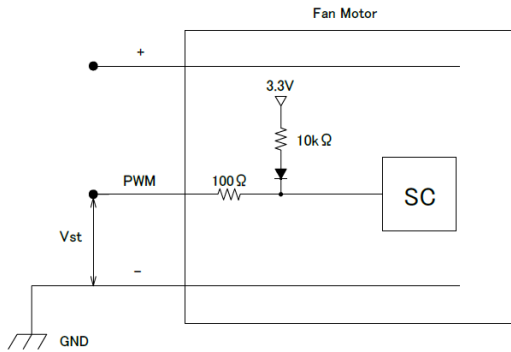
MODEL	Rating Voltage (V)	Operating Voltage (V)	Current (A)*1		Input Power (W)*1		Speed Inlet/Outlet (RPM)	Max. Air Flow		Max. Static Pressure		Noise (dB)*1	Mass (g)
			Avg	Max	Avg	Max		(CFM)	(m ³ /min)	(in H ₂ O)	(Pa)		
09238RG-24P-GUD-1	24	14 to 26.4	0.92	1.20	22.08	28.80	6,700	141.26	4.00	1.04	260	61	270

PWM and IP Rated DC Fan 09238RG-24P (D-Type)



PWM Specifications

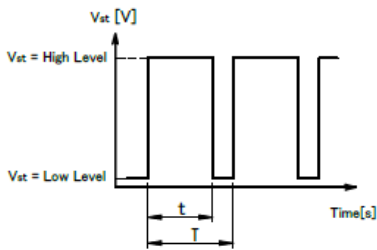
Connection



1. PWM Control

- Vst = Low Level (0V~0.4V) → Stop (On Duty 0%)
- Vst = High Level (4.5V~5.0V) → Full Speed (On Duty 100%)
- Vst = Open → Full Speed

2. PWM Duty & PWM Input Pulse



PWM Duty means that a ratio of high level time (t)/PWM Input Pulse(T).

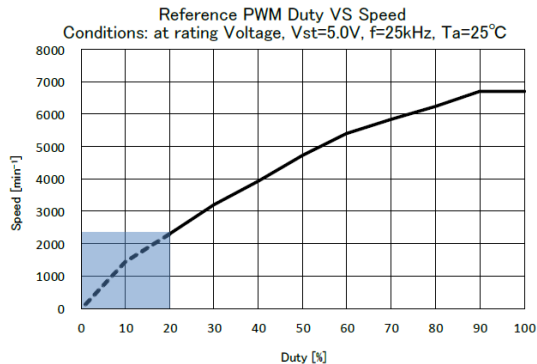
$$(t/T) \times 100 : \text{On Duty } 0\% \sim 100\%$$

$$\text{PWM Frequency } f = 25[\text{kHz}]$$

3. The condition for PWM control are as follows

- When you use this under PWM control, always be sure the motor's operation under practical mounting state. Fan motor may not start up caused by PWM control at very low speed condition.
- To run at Rating Voltage
- Please use the start with Duty 20% or more at 25kHz.[At rated voltage input, Ambient temperature 25°C]

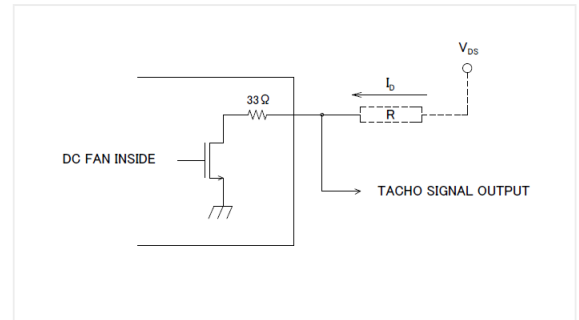
PWM Characteristic Curve



TACHO Specifications

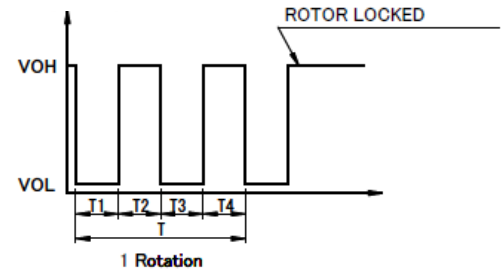
Tachometer Signal

- Output Circuit: Open Drain
- Specification
Absolute Maximum Ratings at Ta=25°C
V_{DSmax}: +30V
I_{Dmax}: 5mA[V_{DS(sat)}max=1.5V]

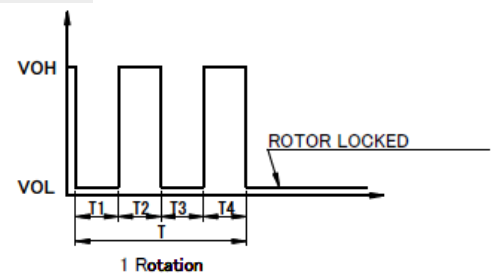


- Output Waveform: At Rated Voltage
Output Signal Voltage

Case-1



Case-2



- When the rotor is locked at VOH position of signal, signal keeps VOH position.
- When the rotor is locked at VOL position of signal, signal keeps VOL position.
- $T = T1 + T2 + T3 + T4 = 60/m = 1 \text{ rotation}$

m: Fan Speed (min⁻¹)

Tacho Duty Cycle=50%±10%

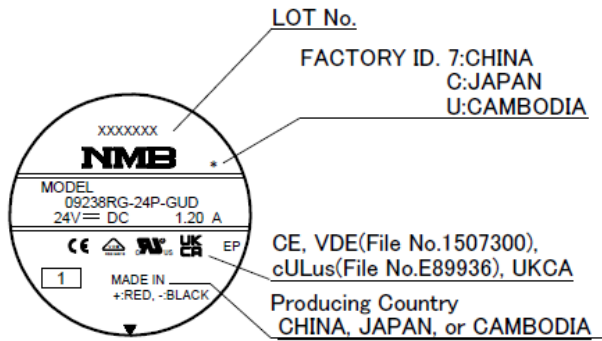
PWM and Tach Output DC Fan with Potting

09238RG-24P (D-Type)

NMB

Outlines

(Name Plate)



Materials

Casing: Plastic (Black UL 94V-0)

Impeller: Plastic (Black UL 94V-0)

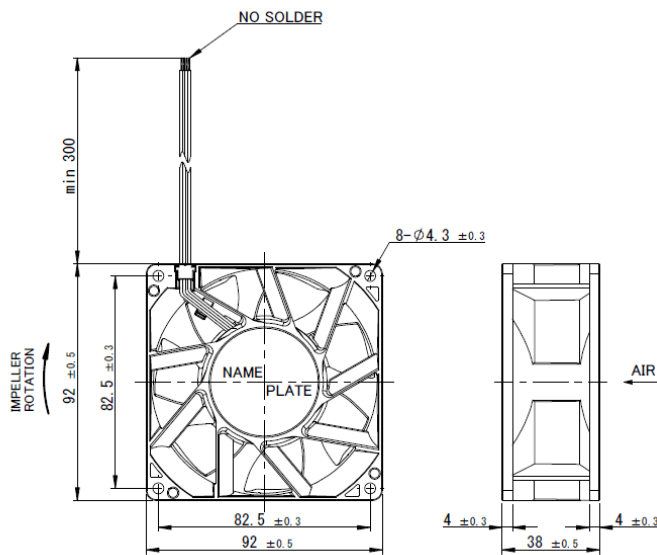
Bearing: Ceramic Ball Bearing

Lead Wire: UL3443 AWG24 for

Red (+)
Black (-)
White (Tach)
Brown (PWM)

(Outline)

FLANGE TYPE



(Panel Out-line)

