

# 10030GE for Evaporator

## DC Centrifugal Fan

 $\Phi 100 \times 30^L$ 

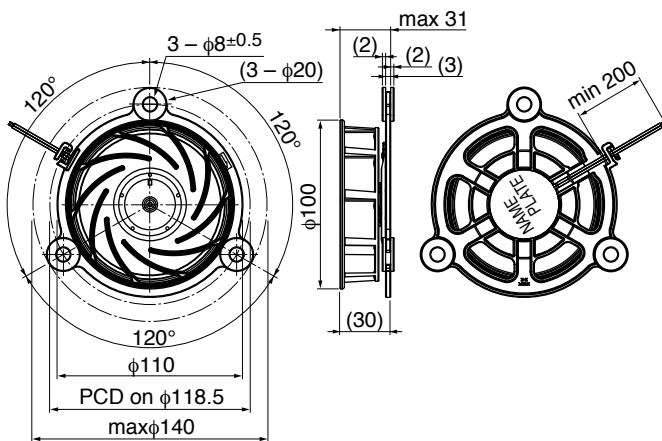

### General Specifications

Motor Protection	Auto Restart
Insulation Resistance	10M $\Omega$ or:over with a DC500V Megger
Dielectric Withstand Voltage	: AC700V 1s
Allowable Ambient	: - 40°C ~ + 40°C (Operating)
Temperature Range	: - 40°C ~ + 70°C (Storage)
	non-condensing environment

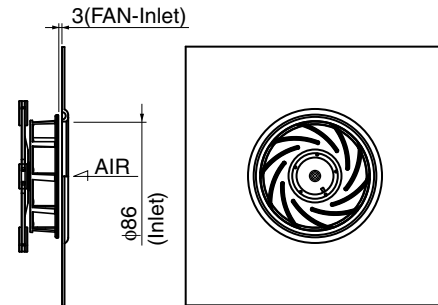
### Expected Life ※ Failure Rate: 10% (L10 Life)

20°C 70,000 (Hours)

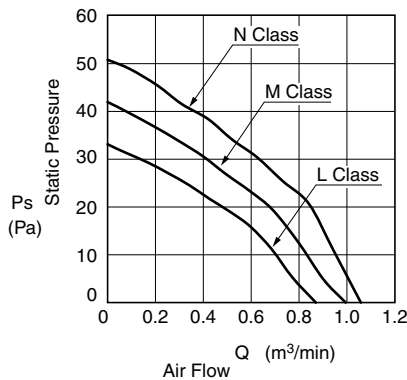
### Outline



### Measurement Condition



### 特性曲線 Characteristic Curves



### Material

Casing	: Plastic (Black) UL94V-0
Impeller	: Plastic (Black) UL94V-0
Bearing	: Ball Bearing
Lead Wire	: UL1007 AWG26 + : Red, - : Black

### Specifications

Model	Product No.	Rating Voltage	Operating Voltage	Current	Input Power	Speed	Max. Air Flow		Max. Static Pressure		Noise	Mass
		(V)	(V)				(m³/min)	(CFM)	(Pa)	(In H <sub>2</sub> O)		
10030GE-12L-YA-	F0	12	7.0 ~ 13.8	0.10	1.20	2000	0.86	30.4	32.9	0.13	30.0	130
10030GE-12M-YA-	F0			0.12	1.44	2250	0.99	35.0	41.8	0.17	33.0	
10030GE-12N-YA-	F0			0.15	1.80	2500	1.05	37.1	50.7	0.20	35.5	

 Rotation: Counterclockwise as seen from the label side  
 Airflow Outlet: Side direction

 \*1: Average Values in Free Air  
 \*2: With installation cover for measurement