

11925PB (4710PS)

AC Axial Fan

119[□]X25^L

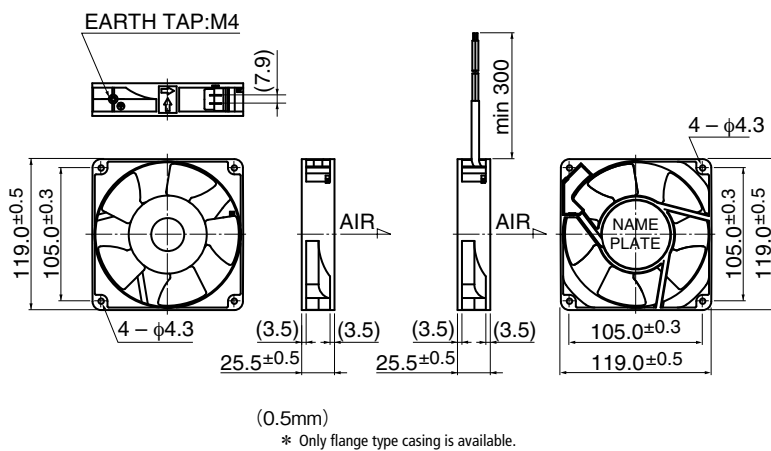


General Specifications

- Motor Structure : Shaded Pole Induction Motor
- Motor Protection : Impedance Protection
- Insulation Resistance : Min 100MΩ by DC 500V Megger
- Dielectric Withstand Voltage : AC1800V 3s
- Allowable Ambient : - 10°C ~ + 70°C (Operating)
- Temperature Range : - 40°C ~ + 70°C (Storage)
non-condensing environment

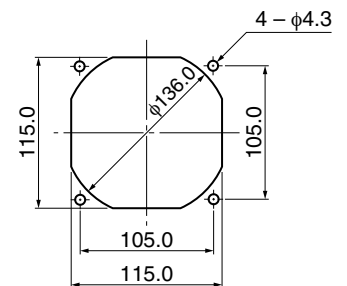
Expected Life ※ **Failure Rate: 10% (L10 Life)**
25°C 100,000 (Hours)

Outline

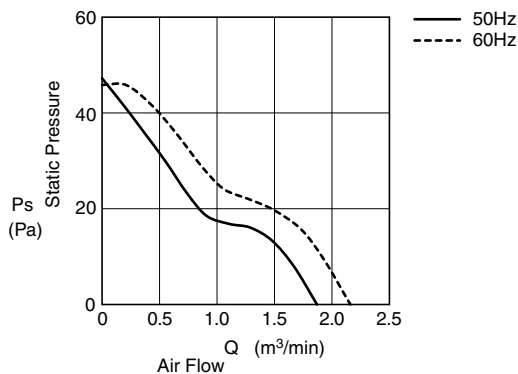


Panel Out-cuts

(Inlet Side) / (Outlet Side)



Characteristic Curves



Material

- Casing : Aluminum (Black Painting)
- Impeller : Plastic (Black) UL94V-0
- Bearing : Ball Bearing
- Terminal : Faston #110 or Equiv

Lead Wire type is also available.

Lead Wire : UL3266, AWG22

Specifications

Model	Product No.	Rating Voltage (V)	Frequency (Hz)	Starting Voltage (V)	Current (A)*2	Input Power (W) ^{+10% -20%}	Speed (min ⁻¹)*3	Max. Air Flow		Max. Static Pressure		Noise (dB)*1	Mass (g)
								(m ³ /min)*3	(CFM)*3	(Pa)*3	(In H ₂ O)*3		
11925PB-A0L-EA-	00	100	50	65	0.220	14.0	2300	1.80	64.3	41.2	0.16	34.0	360
			60		0.180	11.0	2700	2.00	71.4	41.2	0.16	38.0	
11925PB-A1L-EA-	00	115	50	75	0.190	14.0	2300	1.80	64.3	41.2	0.16	34.0	
			60		0.160	11.0	2700	2.00	71.4	41.2	0.16	38.0	
11925PB-B0L-EA-	00	200	50	130	0.110	14.0	2300	1.80	64.3	41.2	0.16	34.0	
			60		0.090	11.0	2700	2.00	71.4	41.2	0.16	38.0	
11925PB-B2L-EA-	00	220	50	175	0.100	14.0	2300	1.80	64.3	41.2	0.16	34.0	
			60		0.080	11.0	2700	2.00	71.4	41.2	0.16	38.0	
11925PB-B3L-EA-	00	230	50	175	0.100	14.0	2300	1.80	64.3	41.2	0.16	34.0	
			60		0.090	11.0	2700	2.00	71.4	41.2	0.16	38.0	
11925PB-B4L-EA-	00	240	50	175	0.100	15.0	2300	1.70	60.7	41.2	0.16	34.0	
			60		0.080	13.0	2700	2.00	71.4	41.2	0.16	38.0	

Rotation: Counterclockwise as seen from the label side
Airflow Outlet: Label side

*1: Average Values in Free Air
*2: Maximum Values in Free Air
*3: Minimum Values in Free Air