

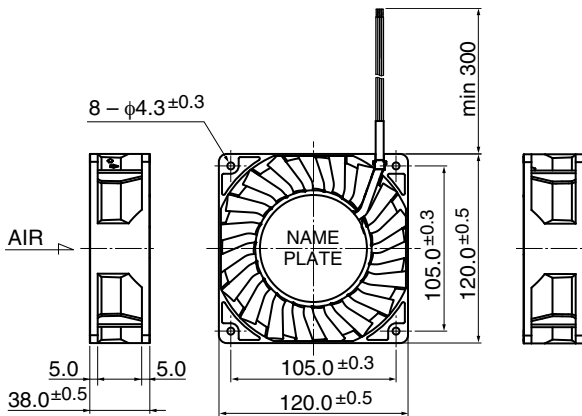
# 12038MA

## DC Axial Fan

# 120<sup>□</sup>X38<sup>L</sup>



### Outline



### General Specifications

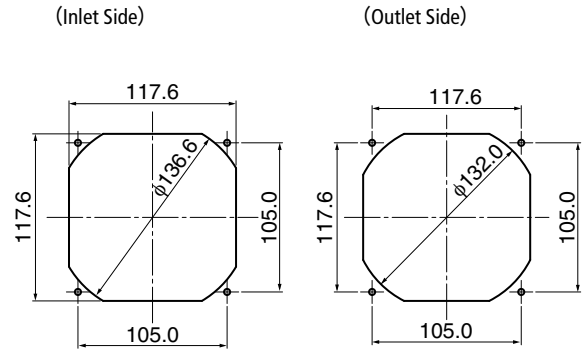
Motor Protection Auto Restart

Insulation Resistance 10MΩ or over with a DC500V Megger  
 Dielectric Withstand Voltage : AC700V 1s  
 Allowable Ambient : -10°C ~ +70°C (Operating)  
 Temperature Range -30°C ~ +70°C (Storage)  
 non-condensing environment

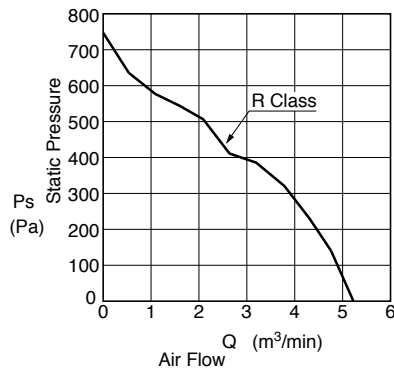
### Expected Life ※ Failure Rate: 10% (L10 Life)

40°C 40,000 (Hours)

### Panel Out-cuts



### Characteristic Curves



### Material

Casing : Aluminum (Black Painting)  
 Impeller : Plastic (Black) UL94V-0  
 Bearing : Ball Bearing  
 Lead Wire : UL10368 AWG22 + : Red, - : Black

Variable speed type is also available.  
 Please inquire regarding the other requirements.

Customize service for IP compatible type and Oil-proof type is available for this item.  
 Please contact to our sales representative for more detail.

### Specifications

Model	Product No.	Rating Voltage	Operating Voltage	Current	Input Power	Speed	Max. Air Flow		Max. Static Pressure		Noise	Mass
		(V)	(V)	(A)*1	(W)*1	(min <sup>-1</sup> )*1	(m <sup>3</sup> /min)*1	(CFM)*1	(Pa)	(In H <sub>2</sub> O)	(dB)*1	(g)
12038MA-48R-GK-	00	48	38 ~ 60	0.82	39.36	9000	5.25	186.0	740.0	3.00	72.0	650

Rotation: Clockwise as seen from the label side  
 Airflow Outlet: Label side

\*1: Average Values in Free Air

Please inquire regarding the other input voltages.