

# 12537JE for Evaporator

## DC Axial Fan

# 125<sup>□</sup>X37<sup>L</sup>



### General Specifications

- Motor Protection : Auto Restart
- Insulation Resistance : 10MΩ or over with a DC500V Megger
- Dielectric Withstand Voltage : AC700V 1s
- Allowable Ambient Temperature Range : - 40°C ~ + 40°C (Operating)  
- 40°C ~ + 70°C (Storage)  
non-condensing environment

### Outline

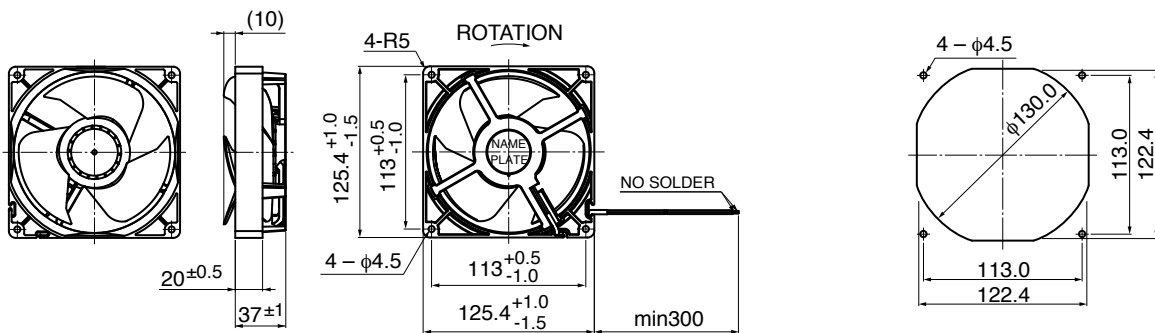
### Expected Life

※ Failure Rate: 10% (L10 Life)

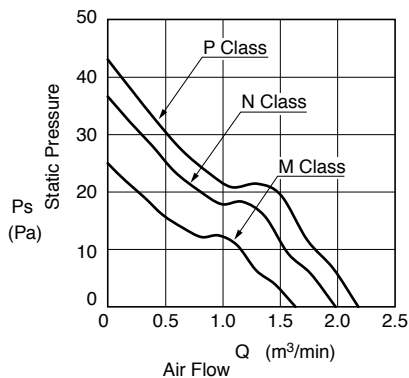
-20°C 70,000 (Hours)

### Panel Out-cuts

(Inlet Side)



### Characteristic Curves



### Material

- Casing : Plastic (Black) 94V-0
- Impeller : Plastic (Black) 94V-0
- Bearing : Ball Bearing
- Lead Wire : UL1007 AWG26 + : Red, - : Black

### Specifications

Model	Product No.	Rating Voltage	Operating Voltage	Current	Input Power	Speed	Max. Air Flow		Max. Static Pressure		Noise	Mass
		(V)	(V)				(m <sup>3</sup> /min) <sup>*1</sup>	(CFM) <sup>*1</sup>	(Pa)	(In H <sub>2</sub> O)		
12537JE-12M-BA-	F0	12	7.0 ~ 13.2	0.07	0.84	1900	1.62	57.6	24.8	0.10	26.0	220
12537JE-12N-BA-	F0			0.10	1.20	2300	1.96	69.2	36.6	0.15	32.0	
12537JE-12P-BA-	F0			0.14	1.69	2550	2.17	76.8	42.9	0.17	35.0	

Rotation: Clockwise as seen from the label side  
Airflow Outlet: Label side

\*1: Average Values in Free Air