

12539JE for Evaporator

DC Axial Fan

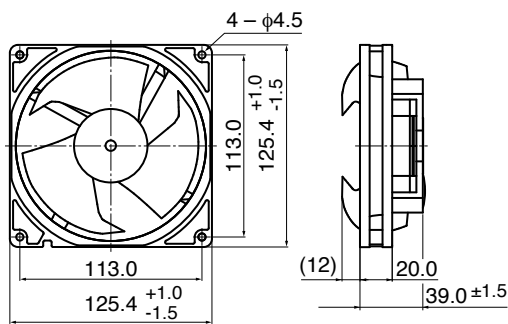
125[□]X39^L



General Specifications

- Motor Protection : Auto Restart
- Insulation Resistance : 10MΩ or over with a DC500V Megger
- Dielectric Withstand Voltage : AC700V 1s
- Allowable Ambient : - 40°C ~ + 40°C (Operating)
- Temperature Range : - 40°C ~ + 70°C (Storage)
- non-condensing environment

Outline

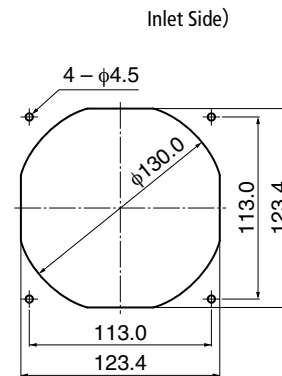


Expected Life

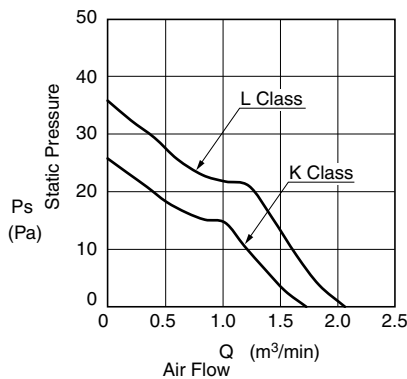
※ Failure Rate: 10% (L10 Life)

-20°C 70,000 (Hours)

Panel Out-cuts



Characteristic Curves



Material

- Casing : Plastic (Black) UL94V-0
- Impeller : Plastic (Green) UL94HB
- Bearing : Ball Bearing
- Lead Wire : UL1007 AWG26 + : Red, - : Black

Specifications

Model	Product No.	Rating Voltage	Operating Voltage	Current	Input Power	Speed	Max. Air Flow		Max. Static Pressure		Noise	Mass
		(V)	(V)	(A)*1	(W)*1	(min ⁻¹)*1	(m ³ /min)*1	(CFM)*1	(Pa)	(In H ₂ O)	(dB)*1	(g)
12539JE-12K-BA-	F0	12	7 ~ 14.0	0.16	1.92	2080	1.76	62.1	25.4	0.10	32.0	190
12539JE-12L-BA-	F0		7 ~ 13.2	0.24	2.88	2300	2.12	74.9	36.3	0.15	34.0	

Rotation: Clockwise as seen from the label side
Airflow Outlet: Label side

*1: Average Values in Free Air