

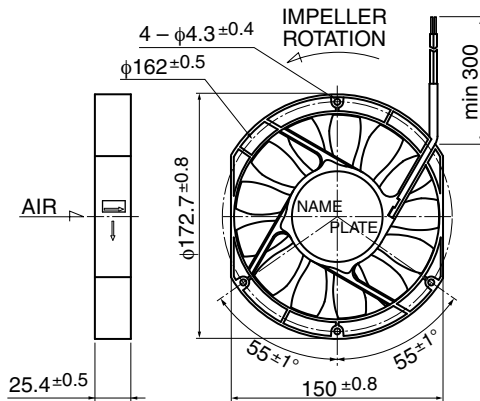
15025PA (5910PL)

DC Axial Fan

150X^Φ172X25^L



Outline



General Specifications

Motor Protection Auto Restart / Polarity Protection

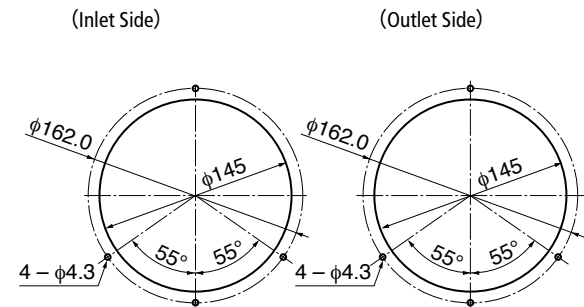
Insulation Resistance 10MΩ or over with a DC500V Megger
Dielectric Withstand Voltage : AC700V 1s

Allowable Ambient : -10°C ~ +70°C (Operating)
Temperature Range : -40°C ~ +70°C (Storage)
non-condensing environment

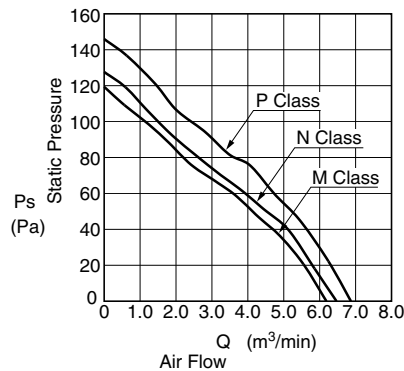
Expected Life ※ Failure Rate: 10% (L10 Life)

25°C 100,000 (Hours)

Panel Out-cuts



Characteristic Curves



Material

Casing : Aluminum (Black Painting)
Impeller : Plastic (Black) UL94V-0
Bearing : Ball Bearing
Lead Wire : UL10368 AWG24 + : Red, - : Black

Specifications

Model	Product Number	Rating Voltage	Operating Voltage	Current	Input Power	Speed	Max Air Flow	Max Static Pressure	Noise	Mass
		(V)	(V)	(A)*1	(W)*1	(min-1)*1	(m ³ /min)*1 (CFM)*1	(Pa) (In H ₂ O)*1	(dB)*1	(g)
15025PA-24L-AA-	00	24	18.0 ~ 26.4	0.65	15.60	3150	6.0 211.9	125	0.50	59.0
15025PA-24M-AA-	00	24	18.0 ~ 26.4	0.85	20.4	3350	6.5 229.5	140	0.56	60.5
15025PA-24N-AA-	00	24	18.0 ~ 26.4	0.95	22.8	3500	6.7 236.6	150	0.60	61.5
15025PA-24P-AA-	00	24	18.0 ~ 26.4	1.20	28.8	3750	7.0 247.2	175	0.70	64.0
15025PA-48M-AA-	00	48	38.0 ~ 52.8	0.42	20.16	3350	6.5 229.5	140	0.56	60.5
15025PA-48N-AA-	00	48	38.0 ~ 52.8	0.45	21.60	3500	6.7 236.6	150	0.60	61.5
15025PA-48P-AA-	00	48	38.0 ~ 52.8	0.59	28.32	3750	7.0 247.2	175	0.70	64.0

Rotation: Counterclockwise as seen from the label side
Airflow Outlet: Label side

*1: Average Values in Free Air