

15047JA for Condenser

150[□]X47^L

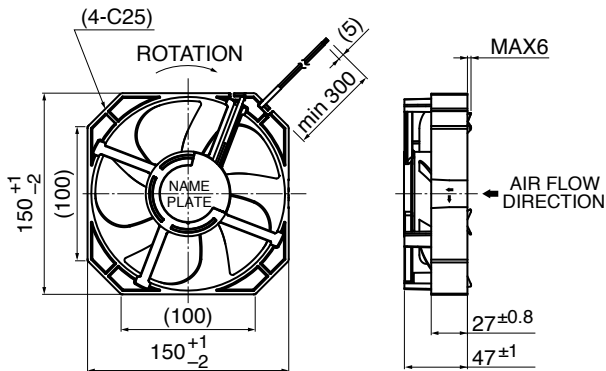
DC Axial Fan



General Specifications

Motor Protection	Auto Restart
Insulation Resistance	10MΩ or over with a DC500V Megger
Dielectric Withstand Voltage	: AC700V 1s
Allowable Ambient Temperature Range	: J CLASS : -10°C ~ +70°C (Operating) K CLASS : -10°C ~ +60°C (Operating) -40°C ~ +70°C (Storage) non-condensing environment

Outline

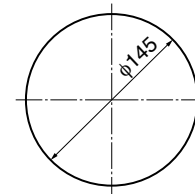


Expected Life ※ Failure Rate: 10% (L10 Life)

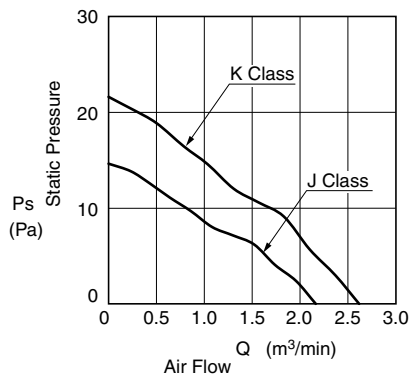
25°C 100,000 (Hours)

Panel Out-cuts

(Inlet Side)



Characteristic Curves



Material

Casing	: Plastic (Black) UL94V-0
Impeller	: Plastic (Black) UL94V-0
Bearing	: Ball Bearing
Lead Wire	: UL1007 AWG24 + : Red, - : Black

Specifications

Model	Product No.	Rating Voltage	Operating Voltage	Current	Input Power	Speed	Max. Air Flow		Max. Static Pressure		Noise	Mass
		(V)	(V)				(m³/min)*1	(CFM)*1	(Pa)	(In H ₂ O)		
15047JA-12J-YA-	00	12	8.0 ~ 13.8	0.12	1.44	1150	2.15	75.9	14.6	0.06	25.5	315
15047JA-12K-YA-	00			0.19	2.28	1400	2.60	91.8	21.5	0.09	32.0	

Rotation: Clockwise as seen from the label side
Airflow Outlet: Label side

*1: Average Values in Free Air