

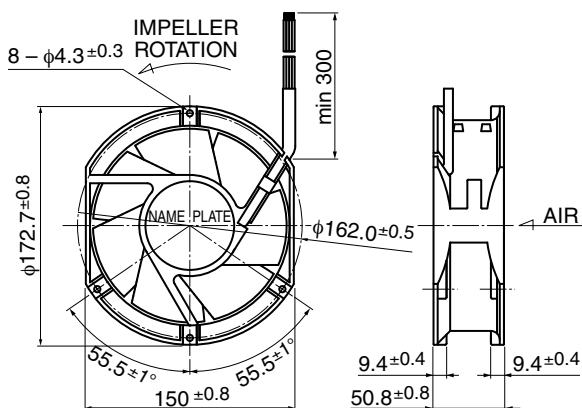
# 15050VA (5920VL)

## DC Axial Fan

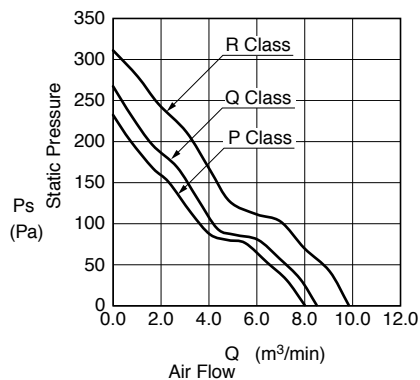
# 150X<sup>Φ</sup>172X50<sup>L</sup>



### Outline



### Characteristic Curves



### General Specifications

Motor Protection Auto Restart / Polarity Protection

Insulation Resistance 10MΩ or over with a DC500V Megger  
Dielectric Withstand Voltage : AC700V 1s

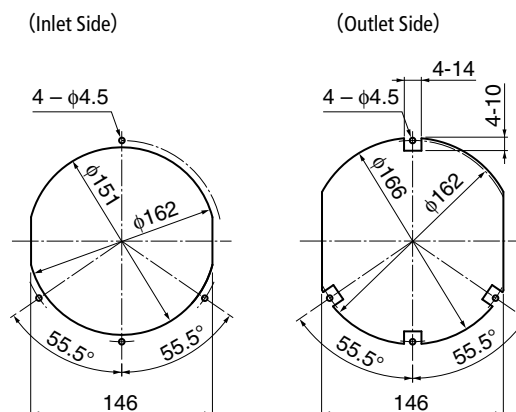
Allowable Ambient : - 10°C ~ + 70°C (Operating)  
Temperature Range - 40°C ~ + 70°C (Storage)  
non-condensing environment

### Expected Life

※ Failure Rate: 10% (L10 Life)

25°C 100,000 (Hours)

### Panel Out-cuts



### Material

Casing : Aluminum (Black Painting)  
Impeller : Plastic (Black) UL94V-0  
Bearing : Ball Bearing  
Lead Wire : UL10368 AWG22 + : Red, - : Black

Customize service for IP compatible type and Oil-proof type is available for this item. Please contact to our sales representative for more detail.

### Specifications

Model	Product No.	Rating Voltage	Operating Voltage	Current	Input Power	Speed	Max. Air Flow		Max. Static Pressure	Noise	Mass	
		(V)	(V)				(m <sup>3</sup> /min) <sup>*1</sup>	(CFM) <sup>*1</sup>				
15050VA-24P-EA-	00	24	18.0 ~ 26.4	1.10	26.4	3750	8.0	282	232	0.93	750	
15050VA-24Q-EA-	00			1.30	31.2	4000	8.5	300	267	1.07		64.0
15050VA-24R-EA-	00			1.80	43.2	4600	9.8	346	312	1.25		68.0
15050VA-48P-EA-	00	48	38.0 ~ 52.8	0.55	26.4	3750	8.0	282	232	0.93		
15050VA-48Q-EA-	00			0.65	31.2	4000	8.5	300	267	1.07		64.0
15050VA-48R-EA-	00			0.90	43.2	4600	9.8	346	312	1.25		68.0

Rotation: Counterclockwise as seen from the label side  
Airflow Outlet: Label side

\*1: Average Values in Free Air

## General Specifications

Motor Type: DC Brushless Motor

Motor Protection: Auto Restart/Polarity Protection

Motor withstands reverse connection for positive and negative leads.

Insulation Resistance:

10M  $\Omega$  or over with a DC500V Megger

Dielectric Withstand Voltage:

AC 700V 1s or 500V 1min

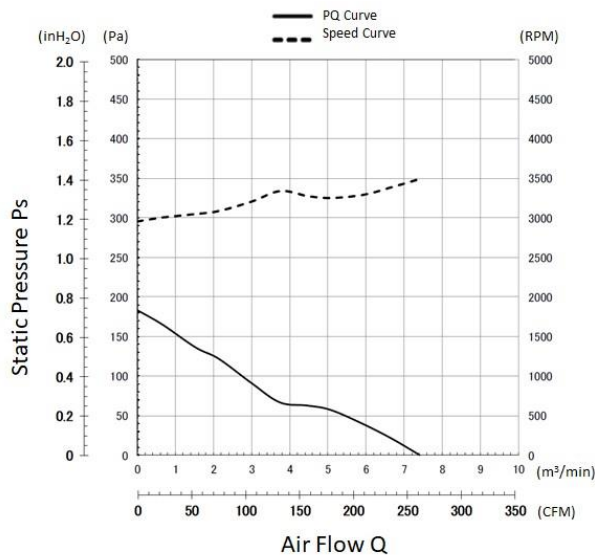
Allowable Ambient Temperature Range:

-10°C ~ +70°C (Operating)

-40°C ~ +70°C (Storage)

(non-condensing environment)

## Characteristics Curves



## PWM Benefits & Applications

### PWM Benefits

- Increased Life Expectancy
- Energy Saving
- Lower Vibration
- Lower Noise
- Current Spike Prevention

### PWM Applications

- Routers
- Switches
- Storage
- Data Centers
- Optical Repeaters
- Broadcast Equipment
- Inverters
- UPS
- Battery Chargers
- Fuel Cells
- Industrial Power Supplies
- Welders
- Plasma Cutters
- Instrumentation
- Test Equipment
- Enclosures and more

- Customized fan performances at multiple operating points.
- Peak efficiency resulting in lower total ownership costs.
- Cost effective and better reliability.

## Life Expectancy L10

25°C 100,000 Hours

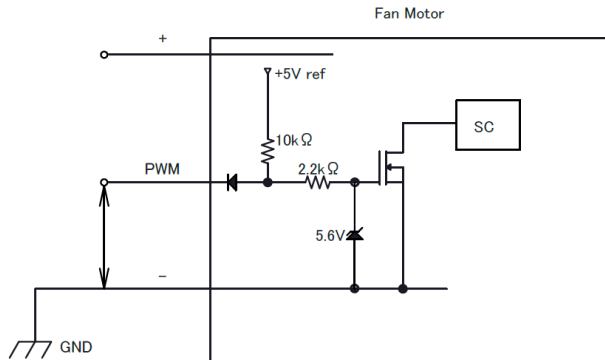
## Specifications

MODEL	Rated	Operating	Current		Input Power		Speed	Max.		Max. Static		Noise	Mass
	Voltage	Voltage	Avg	Max	Avg	Max		Air Flow		Pressure			
	(V)	(V)	(A) <sup>*1</sup>	(A) <sup>*1</sup>	(W) <sup>*1</sup>	(W) <sup>*1</sup>	(min <sup>-1</sup> ) <sup>*1</sup>	(CFM)	(m <sup>3</sup> /min)	(inH <sub>2</sub> O)	(Pa)	(dB) <sup>*1</sup>	(g)
15050VA-48N-EU-01	48	38.0 ~ 52.8	0.45	0.51	21.60	24.48	3500	261.3	7.40	0.74	183	60.0	750

\*1: Values in Free Air

## PWM Specifications

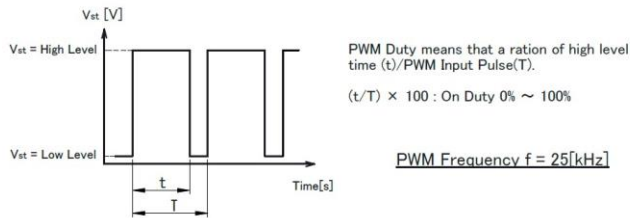
### PWM CONTROL CONNECTION



#### 1. PWM Control

- $V_{st}$  = Low Level (0V~0.4V) → Stop (On Duty 0%)
- $V_{st}$  = High Level (4.0V~5.0V) → Full Speed (On Duty 100%)
- $V_{st}$  = Open → Full Speed

#### 2. PWM Duty & PWM Input Pulse

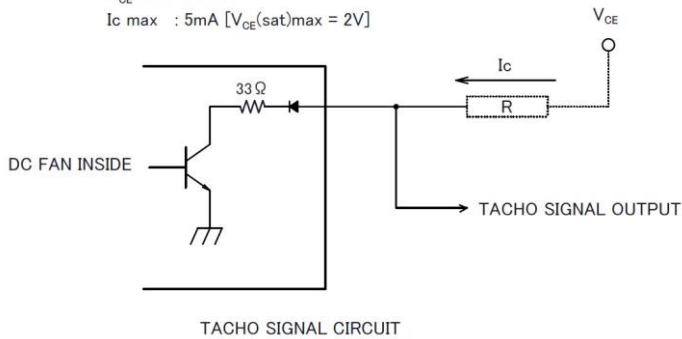


## TACHO Specifications

### TACHO SIGNAL

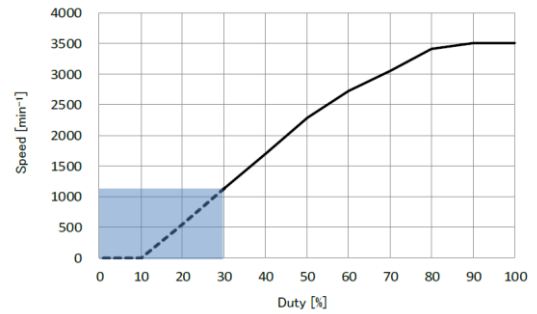
1. OUTPUT CIRCUIT : OPEN COLLECTOR
2. SPECIFICATION

$T_a=25^{\circ}\text{C}$   
 Absolute Maximum Ratings at  $T_a=25^{\circ}\text{C}$   
 $V_{CE}$  max : +52.8V  
 $I_c$  max : 5mA [ $V_{CE}(\text{sat})_{\text{max}} = 2\text{V}$ ]



## PWM Characteristics Curve

Reference PWM Duty VS Speed  
 Conditions: at rating Voltage,  $V_{st}=5.0\text{V}$ ,  $f=25\text{kHz}$ ,  $T_a=25^{\circ}\text{C}$

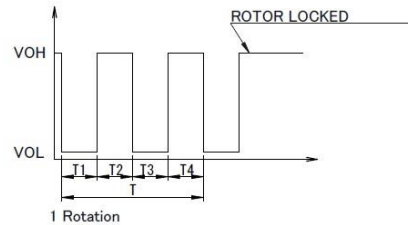


3. The condition for PWM control are as follows.

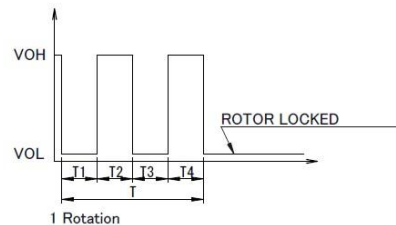
- When you use this under PWM control, always be sure the motor's operation under practical mounting state.  
 Fan motor may not start up caused by PWM control at very low speed condition.
- To run at Rating Voltage.
- Please use the start with Duty 30% or more at 25kHz.  
 [At rated voltage input, Ambient temperature 25°C]

#### 3. OUTPUT WAVEFORM : AT RATED VOLTAGE

OUTPUT SIGNAL VOLTAGE  
 3-1 Case-1

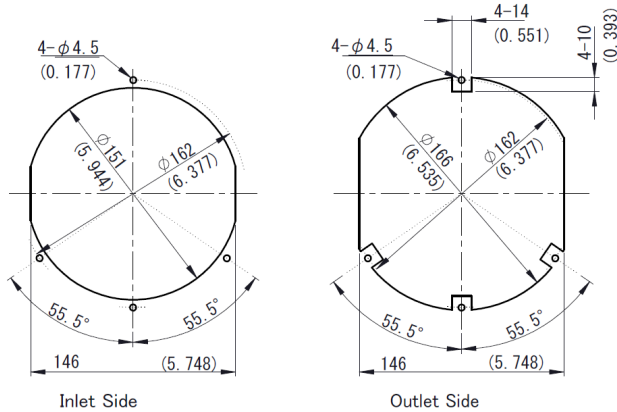


3-2 Case-2



- 1) When the rotor is locked at VOH position of signal, signal keeps VOH position.
- 2) When the rotor is locked at VOL position of signal, signal keeps VOL position.
- 3)  $T = T_1 + T_2 + T_3 + T_4 = 60 / m = 1$  rotation  
 $m : \text{min}^{-1}$   
 Tach Duty Cycle =  $50\% \pm 10\%$

## Panel Cut-Outs



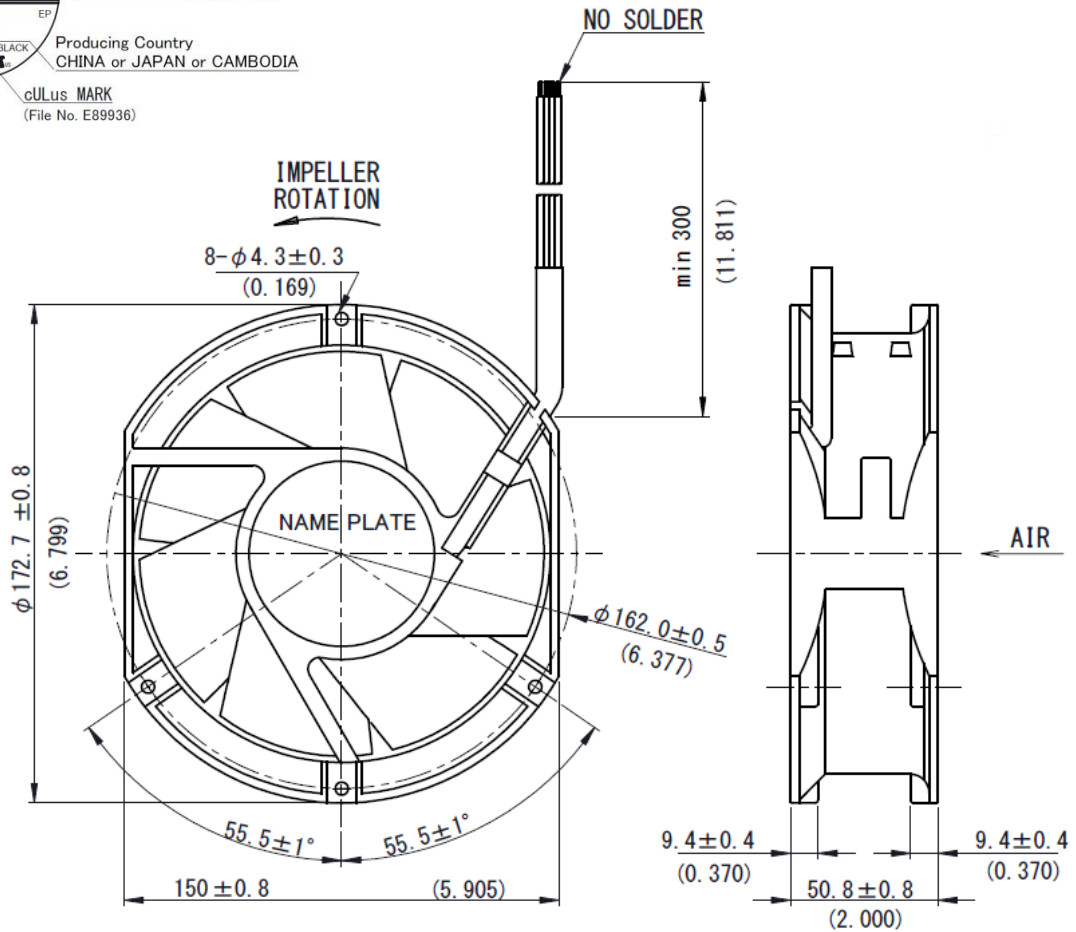
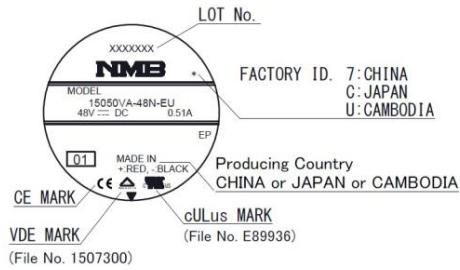
Unit: mm (inch)

## Materials

- Casing : Aluminum (Painted Black)
- Impeller : Plastic (Black UL94V-0)
- Bearing : Ball Bearing
- Lead Wire : UL10368 AWG22 and AWG24
  - AWG22:
    - (+) : Red (-) : Black
  - AWG24:
    - PWM : Brown Tach : White

## Outline

Name Plate



Unit: mm (inch)