

17240JA for Condenser

DC Axial Fan

172[□]X40^L

DC FAN

General purpose

Industrial

Server

Refrigerator

Blower



General Specifications

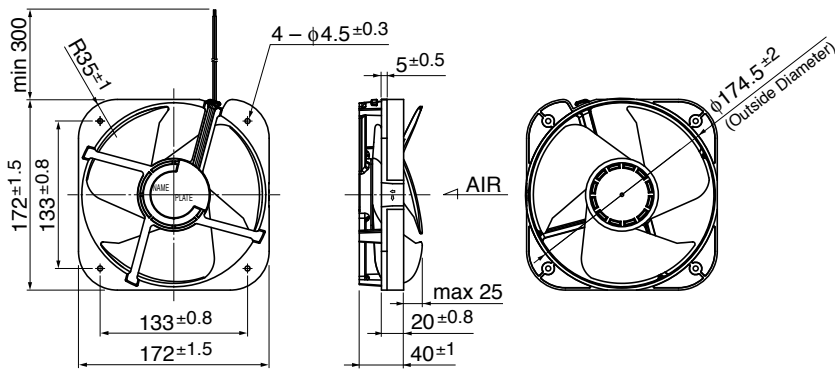
- Motor Protection : Auto Restart
- Insulation Resistance : 10MΩ or over with a DC500V Megger
- Dielectric Withstand Voltage : AC700V 1s
- Allowable Ambient Temperature Range : - 10°C ~ + 70°C (Operating)
- Temperature Range : - 40°C ~ + 70°C (Storage)
- non-condensing environment

Expected Life

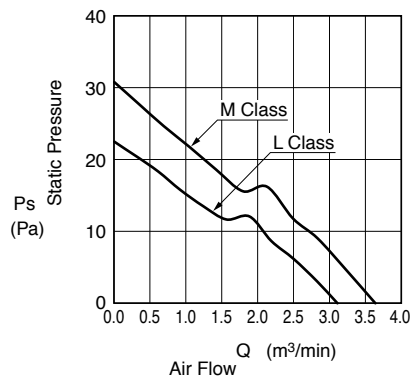
※ Failure Rate: 10% (L10 Life)

25°C 100,000 (Hours)

Outline



Characteristic Curves



Material

- Casing : Plastic (Black) UL94V-0
- Impeller : Plastic (Black) UL94V-0
- Bearing : Ball Bearing
- Lead Wire : UL1007 AWG24 + : Red, - : Black

Specifications

Model	Product No.	Rating Voltage	Operating Voltage	Current	Input Power	Speed	Max. Air Flow		Max. Static Pressure	Noise	Mass	
		(V)	(V)	(A)*1	(W)*1	(min ⁻¹)*1	(m ³ /min)*1	(CFM)*1	(Pa)*1	(In H ₂ O)*1	(dB)*1	(g)
17240JA-12L-YA-	00	12	10.0 ~ 13.2	0.11	1.32	1350	3.10	109.5	22.4	0.09	29.5	325
17240JA-12M-YA-	00			0.16	1.92	1550	3.63	128.2	30.7	0.12	33.5	

Rotation: Clockwise as seen from the label side
Airflow Outlet: Label side

*1: Average Values in Free Air