

17250VA (6820VL)

DC Axial Fan

 $\Phi 172 \times 50^L$

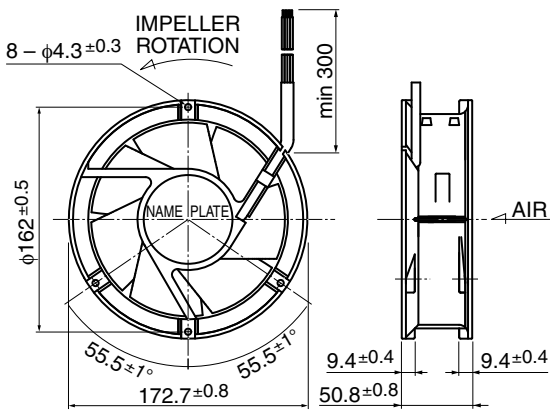

General Specifications

Motor Protection Auto Restart / Polarity Protection

Insulation Resistance 10M Ω or over with a DC500V Megger
Dielectric Withstand Voltage : AC700V 1s

Allowable Ambient : -10°C ~ +70°C (Operating)
Temperature Range : -40°C ~ +70°C (Storage)
non-condensing environment

Outline

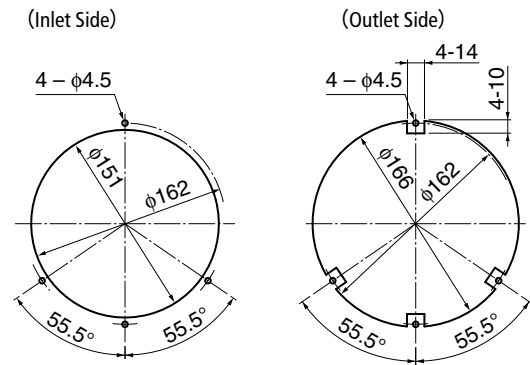


Expected Life

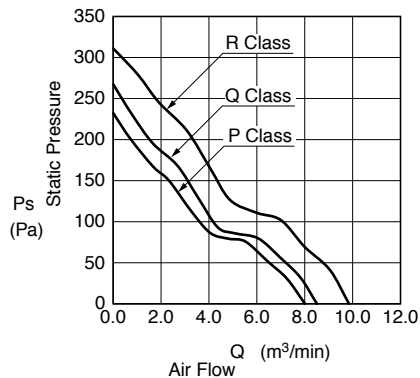
※ Failure Rate: 10% (L10 Life)

25°C 100,000 (Hours)

Panel Out-cuts



Characteristic Curves



Material

Casing : Aluminum (Black Painting)
Impeller : Plastic (Black) UL94V-0
Bearing : Ball Bearing
Lead Wire : UL10368 AWG22 + : Red, - : Black

Customize service for IP compatible type and Oil-proof type is available for this item.
Please contact to our sales representative for more detail.

Specifications

| Model | Product No. | Rating Voltage | Operating Voltage | Current | Input Power | Speed | Max. Air Flow | | Max. Static Pressure | Noise | Mass | |
|-----------------|-------------|----------------|-------------------|---------|-------------|-------|-------------------------------------|---------------------|----------------------|-------|------|------|
| | | (V) | (V) | | | | (m ³ /min) ^{*1} | (CFM) ^{*1} | (Pa) ^{*1} | | | |
| 17250VA-24P-EA- | 00 | 24 | 18.0 ~ 26.4 | 1.10 | 26.4 | 3750 | 8.0 | 282 | 232 | 0.93 | 830 | |
| 17250VA-24Q-EA- | 00 | | | 1.30 | 31.2 | 4000 | 8.5 | 300 | 267 | 1.07 | | 58.0 |
| 17250VA-24R-EA- | 00 | | | 1.80 | 43.2 | 4600 | 9.8 | 346 | 312 | 1.25 | | 62.0 |
| 17250VA-48P-EA- | 00 | 48 | 38.0 ~ 52.8 | 0.55 | 26.4 | 3750 | 8.0 | 282 | 232 | 0.93 | | |
| 17250VA-48Q-EA- | 00 | | | 0.65 | 31.2 | 4000 | 8.5 | 300 | 267 | 1.07 | | 58.0 |
| 17250VA-48R-EA- | 00 | | | 0.90 | 43.2 | 4600 | 9.8 | 346 | 312 | 1.25 | | 62.0 |

Rotation: Counterclockwise as seen from the label side
Airflow Outlet: Label side

*1: Average Values in Free Air

General Specifications

Motor Type: DC Brushless Motor

Motor Protection: Auto Restart/Polarity Protection

Motor withstands reverse connection for positive and negative leads.

Insulation Resistance:

10M Ω or over with a DC500V Megger

Dielectric Withstand Voltage:

AC 700V 1s or 500V 1min

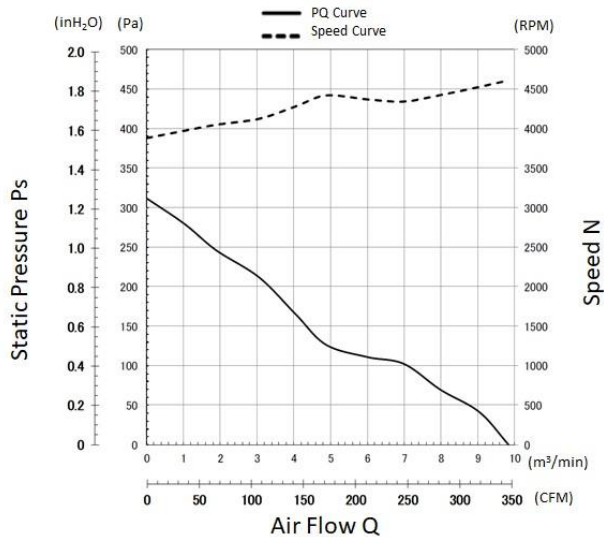
Allowable Ambient Temperature Range:

-10°C ~ +70°C (Operating)

-40°C ~ +70°C (Storage)

(non-condensing environment)

Characteristics Curves



PWM Benefits & Applications

PWM Benefits

- Increased Life Expectancy
- Energy Saving
- Lower Vibration
- Lower Noise
- Current Spike Prevention

PWM Applications

- Routers
- Switches
- Storage
- Data Centers
- Optical Repeaters
- Broadcast Equipment
- Inverters
- UPS
- Battery Chargers
- Fuel Cells
- Industrial Power Supplies
- Welders
- Plasma Cutters
- Instrumentation
- Test Equipment
- Enclosures and more

- Customized fan performances at multiple operating points.
- Peak efficiency resulting in lower total ownership costs.
- Cost effective and better reliability.

Life Expectancy L10

25°C 100,000 Hours

Specifications

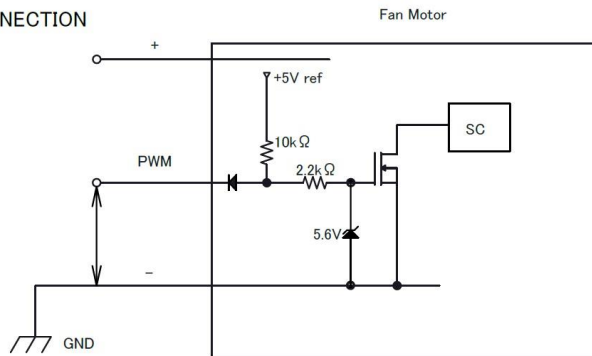
| MODEL | Rated Voltage | Operating Voltage | Current | | Input Power | | Speed (min ⁻¹) ¹ | Max. Air Flow | | Max. Static Pressure | | Noise (dB) ¹ | Mass (g) |
|-------------------|---------------|-------------------|------------------|------------------|------------------|------------------|--|---------------|-----------------------|----------------------|------|----------------------------|-------------|
| | (V) | (V) | Avg | Max | Avg | Max | | (CFM) | (m ³ /min) | (inH ₂ O) | (Pa) | | |
| | (V) | (V) | (A) ¹ | (A) ¹ | (W) ¹ | (W) ¹ | (min ⁻¹) ¹ | (CFM) | (m ³ /min) | (inH ₂ O) | (Pa) | (dB) ¹ | (g) |
| 17250VA-48R-EU-01 | 48 | 38.0 ~ 52.8 | 0.90 | 1.10 | 43.20 | 52.80 | 4600 | 346.1 | 9.80 | 1.25 | 312 | 62.0 | 830 |

*1: Values in Free Air

PWM Specifications

PWM CONTROL

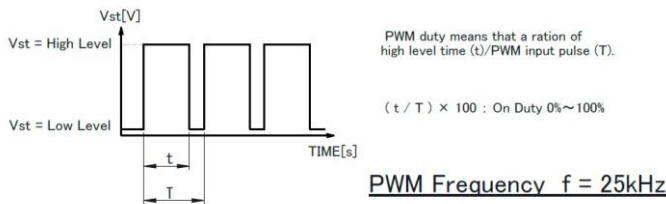
● CONNECTION



1. Vst : PWM CONTROL VOLTAGE

- Vst = Low Level (0V ~ 0.4V) → Stop (On Duty 0%)
- Vst = High Level (3.3V ~ 5.0V) → Full Speed (On Duty 100%)
- Vst = Open → Full Speed

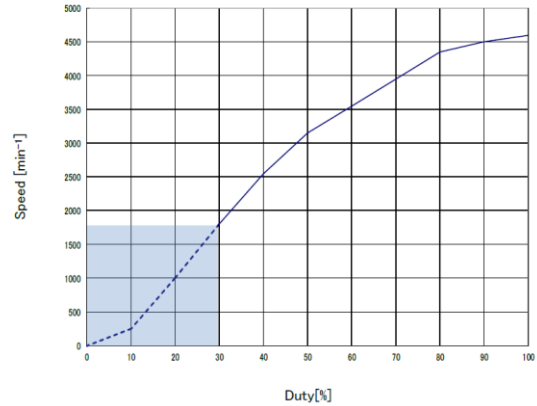
2. PWM Duty & PWM Input Pulse



PWM Characteristics Curve

REFERENCE PWM Duty VS Speed

Conditions : at rating voltage, Vst(H)=5.0V, f=25kHz, Ta=25°C



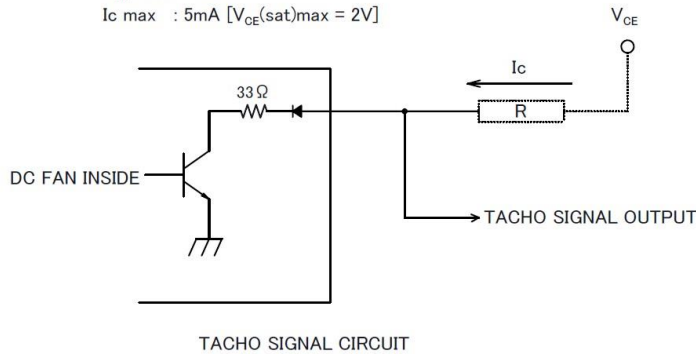
3. The condition for PWM control are as follows.

- In case of PWM control, it is suggested to confirm the operation of fan installed inside the system. Fan Motor may not start up caused by PWM control at very Low Speed Condition.
- To run at Rating Voltage.
- Please use the start with Duty 30% or more at 25kHz. [At rated voltage input, Ambient temperature 25°C]

TACHO Specifications

TACHO SIGNAL

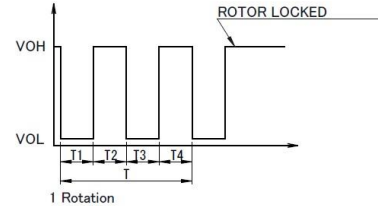
1. OUTPUT CIRCUIT : OPEN COLLECTOR
2. SPECIFICATION
 - Ta=25°C
 - Absolute Maximum Ratings at Ta=25°C
 - V_{CE} max : +52.8V
 - I_C max : 5mA [V_{CE(sat)}max = 2V]



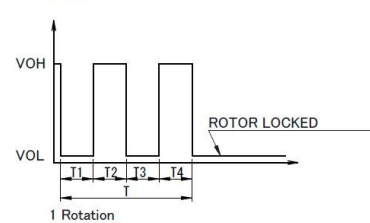
3. OUTPUT WAVEFORM : AT RATED VOLTAGE

OUTPUT SIGNAL VOLTAGE

3-1 Case-1

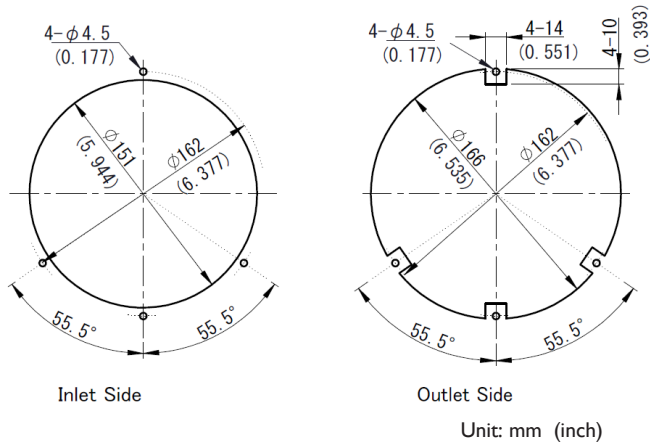


3-2 Case-2



- 1) When the rotor is locked at VOH position of signal, signal keeps VOH position.
- 2) When the rotor is locked at VOL position of signal, signal keeps VOL position.
- 3) $T = T1 + T2 + T3 + T4 = 60 / m = 1 \text{ rotation}$
 $m : \text{min}^{-1}$
 Tach Duty Cycle = 50% ± 10%

Panel Cut-Outs

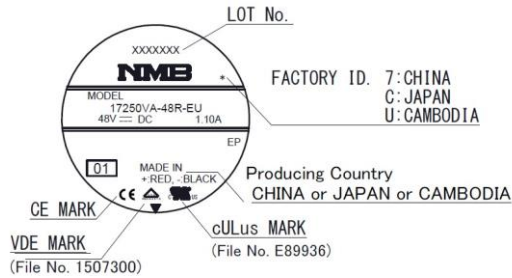


Materials

- Casing : Aluminum (Paint Black)
- Impeller : Plastic (Black UL94V-0)
- Bearing : Ball Bearing
- Lead Wire : UL10368 AWG22
 - (+) : Red (-) : Black
 - PWM : Brown Tach : White

Outline

Name Plate



Outline

