

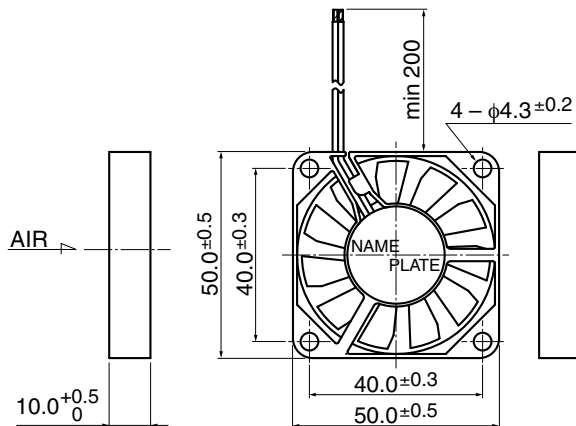
# 2004KL

## DC Axial Fan Ball Bearing

# 50<sup>□</sup>X10<sup>L</sup>



### Outline



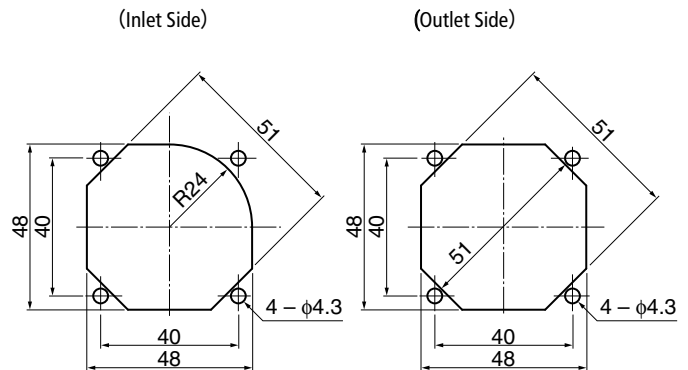
### General Specifications

Motor Protection : Auto Restart / Polarity Protection  
 Insulation Resistance : 10MΩ or over with a DC500V Megger  
 Dielectric Withstand Voltage: AC700V 1s  
 Allowable Ambient Temperature Range :  $-10^{\circ}\text{C} \sim +70^{\circ}\text{C}$  (Operating)  
 $-40^{\circ}\text{C} \sim +70^{\circ}\text{C}$  (Storage)  
 non-condensing environment

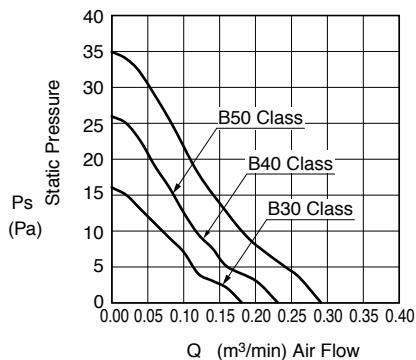
### Expected Life ※ Failure Rate: 10% (L10 Life)

25°C 60,000 (Hours)

### Panel Out-cuts



### Characteristic Curves



### Material

Casing : Plastic (Black) UL94V-0  
 Impeller : Plastic (Black) UL94V-0  
 Bearing : Ball Bearing  
 Lead Wire : UL1061 AWG26 + : Red, - : Black

### Specifications

Model	Product Number	Rating Voltage (V)	Operating Voltage (V)	Current (A)*1	Input Power (W)*1	Speed (min-1)*1	Max Air Flow (m <sup>3</sup> /min)*1 (CFM)*1	Max Static Pressure (Pa) (In H2O)*1	Noise (dB)*1	Mass (g)
2004KL-01W-B30	B00	5	4.5~6.0	0.10	0.50	3500	0.18 6.4	16.0 0.06	23.0	20
2004KL-01W-B40	B00	5	4.5~6.0	0.16	0.80	4500	0.23 8.1	26.0 0.10	28.5	
2004KL-01W-B50	B00	5	4.5~6.0	0.30	1.50	5500	0.29 10.2	35.0 0.14	34.0	
2004KL-04W-B30	B00	12	10.2~13.8	0.04	0.48	3500	0.18 6.4	16.0 0.06	23.0	
2004KL-04W-B40	B00	12	10.2~13.8	0.07	0.84	4500	0.23 8.1	26.0 0.10	28.5	
2004KL-04W-B50	B00	12	10.2~13.8	0.10	1.20	5500	0.29 10.2	35.0 0.14	34.0	
2004KL-05W-B30	B00	24	12~27.6	0.025	0.60	3500	0.18 6.4	16.0 0.06	23.0	
2004KL-05W-B40	B00	24	12~27.6	0.045	1.08	4500	0.23 8.1	26.0 0.10	28.5	
2004KL-05W-B50	B00	24	12~27.6	0.05	1.20	5500	0.29 10.2	35.0 0.14	34.0	

Rotation: Clockwise as seen from the label side  
 Airflow Outlet: Label side

\*1: Average Values in Free Air