

HSD Right Angle Connector

CAM-J14HN / R41-B669

MITSUMI

FEATURES

| | |
|------------------|--------------------------------|
| Model Name | CAM-J14HN |
| Part Number | R41-B669 |
| Description | HSD 4+0 Connector, Right-Angle |
| Coding Direction | Normal |



| Materials | |
|------------|--------------|
| Signal Pin | Copper Alloy |
| Housing | PA Resin |
| Shell | Copper Alloy |
| Cover | PA Resin |

| External Dimensions | |
|----------------------|----------|
| Height | 14.15 mm |
| Width | 12.0 mm |
| Depth | 27.1 mm |
| Outer Contact Length | 3.0 mm |

| Applicable Standards |
|----------------------|
| USCAR-2 |
| DIN EN 60068-2 |

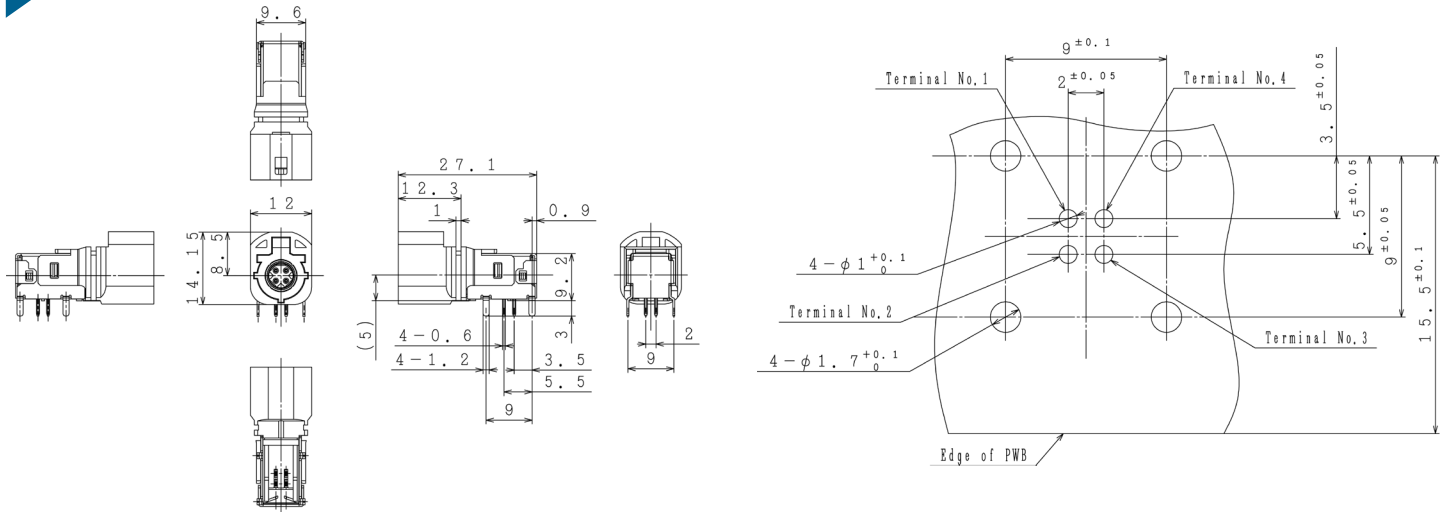
SPECIFICATIONS

| Electrical Characteristics | |
|--------------------------------------|--|
| Impedance | 100Ω |
| Frequency Range | DC to 2 GHz |
| Return Loss | ≥ 20 dB up to 1 GHz; ≥ 17 dB up to 2 GHz |
| Insertion Loss | ≤ 0.1 dB up to 2 GHz |
| Skew | ≤ 5 ps |
| Near-end Crosstalk | ≤ 30 dB (1GHz) |
| Far-end Crosstalk | ≤ 35 dB (1GHz) |
| Insulation Resistance | ≥ 1 x 10 ³ MΩ |
| Signal Contact Resistance | ≤ 20 mΩ |
| Outer Contact Resistance | ≤ 20 mΩ |
| Test Voltage | 250 Vrms |
| Working Voltage | 100 Vrms |
| Power Current | - |
| Signal Current | Max. DC 3A |
| Differential Shielding Effectiveness | ≥ 75 dB up to 1 GHz; ≥ 65 dB up to 2 GHz |

| Mechanical Characteristics | |
|----------------------------|---------|
| Mating Cycles | ≥ 25 |
| Engagement Force | ≤ 30 N |
| Disengagement Force | ≥ 5 N |
| Retention Force Latch | ≥ 110 N |

| Environmental Conditions | |
|-------------------------------|-------------------|
| Temperature Range | -40 °C ~ 105 °C |
| Thermal Shock | DIN EN 60068-2-14 |
| Temperature and Humidity | USCAR-2 (5.6.2) |
| Vibration | DIN EN 60068-2-64 |
| Mechanical Shock | DIN EN 60068-2-27 |
| Maximum Soldering Temperature | 255 °C |
| RoHS Compliant/Lead Free | Compliant |

DIMENSIONS / FOOTPRINT / TERMINAL PINNING



| Packing | |
|----------------|---------------------------------------|
| Weight/Unit | 5.38 g |
| Reel | 200 pcs/reel; 600 pcs(3 reels)/carton |

ORDERING INFORMATION

| HSD Coding | | | | |
|---|--------|---------------|----------|-------------|
| Shape | Coding | Color | RAL. No. | Part Number |
|  | A | Jet Black | 9005 | R41-B669A |
|  | B | Cream White | 9001 | R41-B669B |
|  | C | Signal Blue | 5005 | R41-B669C |
|  | D | Claret Violet | 4004 | R41-B669D |
|  | E | Leaf Green | 6002 | R41-B669E |
|  | F | Nut Brown | 8011 | R41-B669F |
|  | Z | Water Blue | 5021 | R41-B669Z |