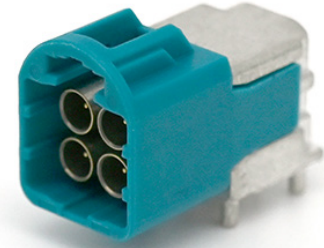


CDM-L92Q

Features

1. Quad, Angle type.
2. Suitable for automotive antennas, cameras, and V2X data transmission.
3. USCAR49 standard.
4. Capable to load 9 GHz of data transmission.
5. With lock function and prevent wrong mating.
6. RoHS compliant.

CDM-L92Q



Model Name	CDM-L92Q
Part Number	R41-B444
Description	Quad Mini Coaxial Connector, Angle
Coding Direction	Normal

Applicable Standards
USCAR-2
USCAR-49

Specifications

Electrical Characteristics

Impedance	50 Ω
Frequency range	DC to 9 GHz
Return loss	[0.01 < f ≤ 1 GHz] : ≤ -23 dB [1 < f ≤ 9 GHz] : ≤ 10logfGHzlog9 - 23dB
Insertion loss	≤ 0.1 dB 0 to 2 GHz
Near-end crosstalk	0.01 GHz < f ≤ 4 GHz : -60dB 4 GHz < f ≤ 9 GHz : -50dB
Test Voltage	≤ 500 V rms
Insulation resistance	100 MΩ MIN
Signal contact resistance	24mΩ MAX
Outer contact resistance	10mΩ MAX
Dielectric Withstand Voltage	800 V AC rms
Working voltage	≤ 60 V DC
Power current	≤ 1 A DC
Shielding Attenuation	0.1 GHz < f ≤ 2 GHz : -62dB 2GHz < f ≤ 5 GHz : -55dB 5GHz < f ≤ 9 GHz : -50dB

CDM-L92Q

Specifications

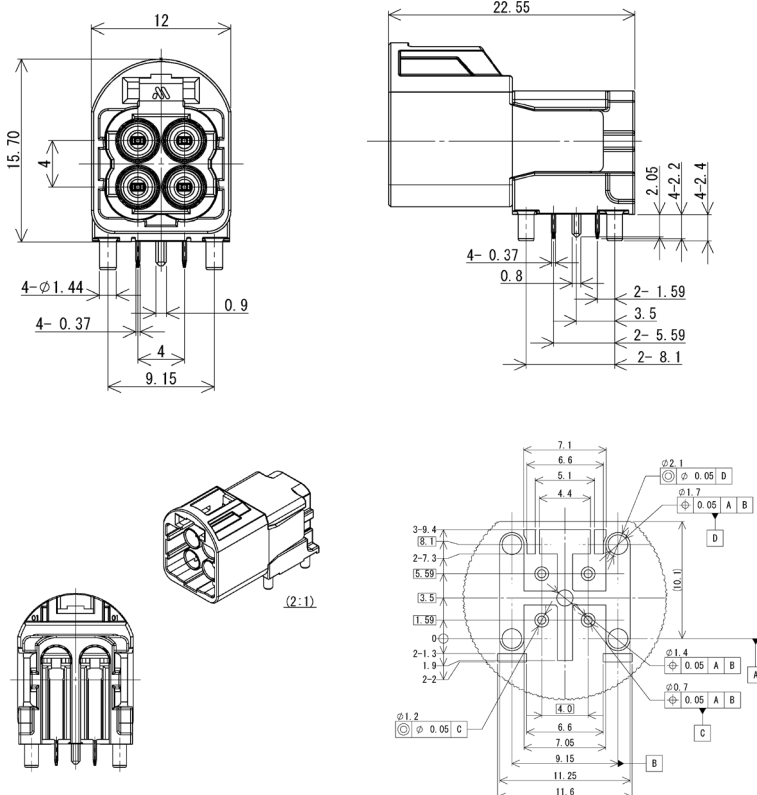
Mechanical Characteristics

Mating cycles	≥ 25
Engagement force	≤ 75 N
Disengagement force	30 - 60 N
Retention force latch	≥ 110 N

Environmental Conditions

Temperature range	-40 °C ~ 105 °C
Thermal shock	USCAR-2 / USCAR-49 Compliant
Temperature and humidity	USCAR-2 / USCAR-49 Compliant
Vibration	USCAR-2 / USCAR-49 Compliant
Mechanical shock	USCAR-2 / USCAR-49 Compliant
Maximum soldering temperature	255 °C
RoHS compliant/Lead free	Compliant

Dimensions



Materials

Signal pin	Copper alloy/Au plating
Outer contact	Copper alloy/Sn plating
Housing	Thermoplastic resin
Shell	Zinc alloy
Cover	PA resin

External Dimensions

Height	15.70 mm
Width	12.00 mm
Length	22.55 mm
Outer Contact Length	2.20 mm

Packing

Weight/Unit	7.93g/pcs
Reel	185 pcs/reel; 740 pcs (4 reels)/Carton