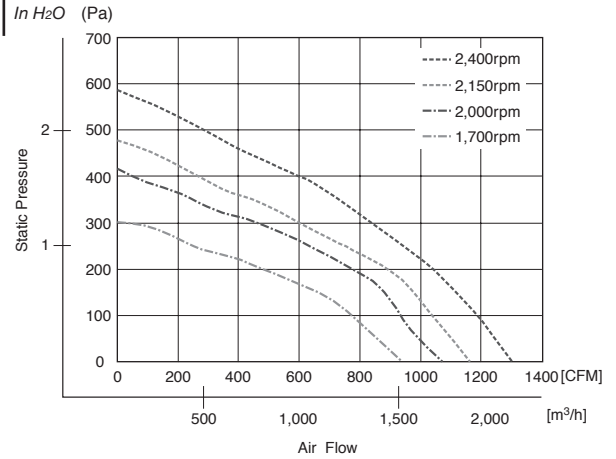




Characteristic Curves



General Specifications

Motor Protection:

Locked Rotor, Reverse Polarity

Insulation Resistance:

10M Ω min measured with 500V DC between all leads shorted together and case

Dielectric Withstand Voltage: AC 500V 1 minute

Allowable Ambient Temperature Range:

-30°C ~ +70°C (Operating)
-40°C ~ +80°C (Storage)

Expected Life

L10 Life:

40°C 70,000 Hours

Material

Impeller : Aluminum

Bearing : Ball Bearing

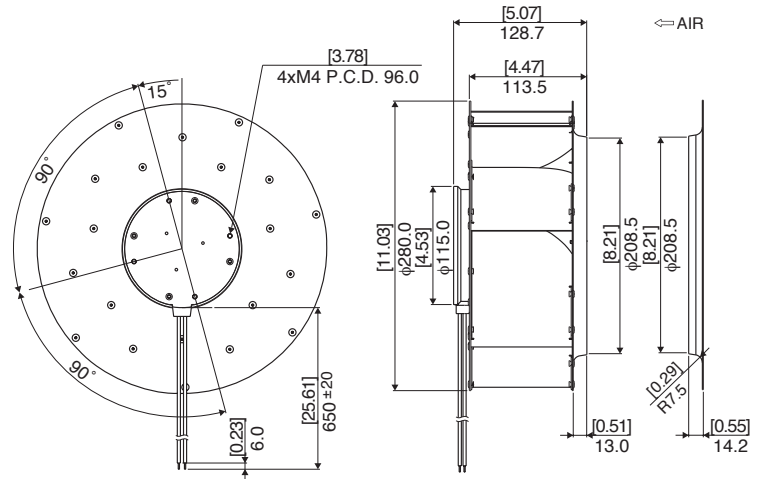
Lead Wire: UL1015, AWG18, +Red, -Black,

Speed Control = Yellow,

Speed Signal = White

Outline

Units: [inch]
mm



Specifications

MODEL	Rated Voltage	Operating Voltage	Current	Input Power	Speed	Max. Air Flow		Max. Static Pressure		Noise	Mass
	(V)	(V)	(A) ^{*1}	(W) ^{*1}	(min ⁻¹) ^{*1}	CFM ^{*1}	(m ³ /hr) ^{*1}	in H ₂ O	(Pa) ^{*1}	(dB) ^{*1}	(g)
F280A1-113-D0720	48	36 ~ 72	5.30	254.4	2400	1333	2265	2.43	607	81	2100
F280A2-113-D0720	48	36 ~ 72	3.40	163.2	2000	1131	1922	1.72	430	75	2100
F280A3-113-D0520	24	18 ~ 30	7.10	170.4	2150	1173	1993	1.96	489	77	2100
F280A4-113-D0510	24	18 ~ 30	3.80	91.2	1700	940	1597	1.25	313	70	2100

Rotation: Clockwise looking at Air Inlet

*1: Average Values in Free Air and Rated Voltage Condition