

Hybrid Stepping Motor with Hollow Shaft



Lineup

Motor Frame Size 25 mm

Model	(mm)	(deg)	Drive Sequence	Rated Current (A)	Resistance (Ohms)	Holding Torque (mNm)	Inductance (mH)	Rotor Inertia (g · cm ²)	Mass (g)
H10PMK202BSTDCN	□ 25×23.5	1.8	BI-POLAR	0.7	3.8	33	2	2	55
H10PMK013BSTDCN	□ 25×27.5	1.8	BI-POLAR	0.21	47	49	32	3	70
H10PMK701BSTDCN	□ 25×33	1.8	BI-POLAR	0.63	5.8	56	5.4	5	90

Motor Frame Size 42 mm

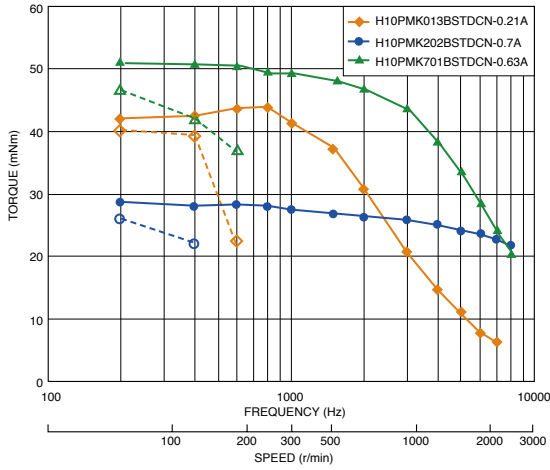
Model	(mm)	(deg)	Drive Sequence	Rated Current (A)	Resistance (Ohms)	Holding Torque (mNm)	Inductance (mH)	Rotor Inertia (g · cm ²)	Mass (g)
H17PMK342USTDCN	□ 42×38	1.8	UNI-POLAR	1.4	2.0	220	2.9	63	250
H17PMK442USTDCN	□ 42×48	1.8	UNI-POLAR	1.4	2.8	370	4.3	90	350
H17PMK342BSTDCN	□ 42×38	1.8	BI-POLAR	0.9	4.0	270	11.2	63	250
H17PMK442BSTDCN	□ 42×48	1.8	BI-POLAR	0.9	5.6	450	17.2	90	350

Motor Frame Size 25 mm

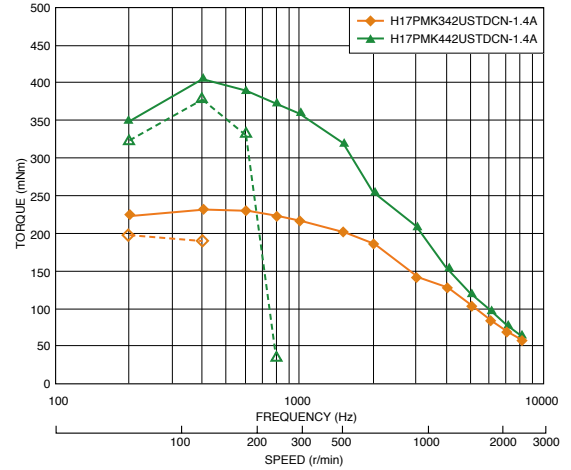
Model	(mm)	(deg)	Drive Sequence	Rated Current (A)	Resistance (Ohms)	Holding Torque (mNm)	Inductance (mH)	Rotor Inertia (g · cm ²)	Mass (g)
H23KMH248USTDCN	□ 56×41.5	1.8	UNI-POLAR	2.0	1.3	833	2.1	120	460
H23KMH248BSTDCN	□ 56×41.5	1.8	BI-POLAR	2.0	1.0	608	4.7	120	460

Torque/Speed Characteristics

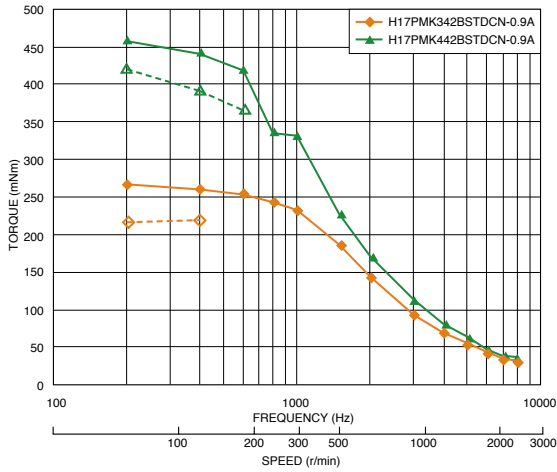
Model No. H10PMK013, K202, K701BSTDCN
Driver: Chopper Dual
Supply Voltage: 24.0 (Volt)



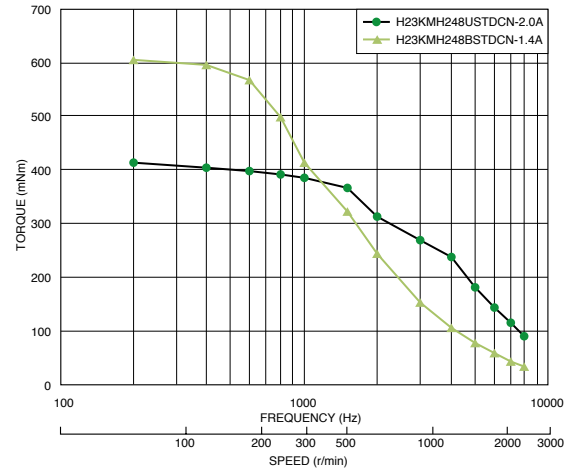
Model No. H17PMK342, K442USTDCN
Driver: Chopper Dual
Supply Voltage: 24.0 (Volt)



Model No. H17PMK342, K442BSTDCN
Driver: Chopper Dual
Supply Voltage: 24.0 (Volt)



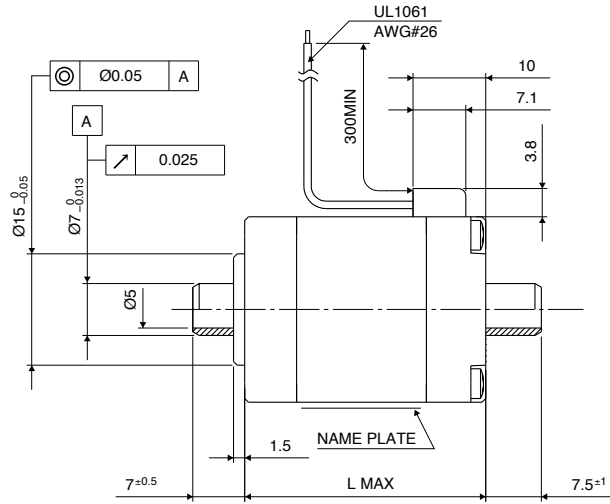
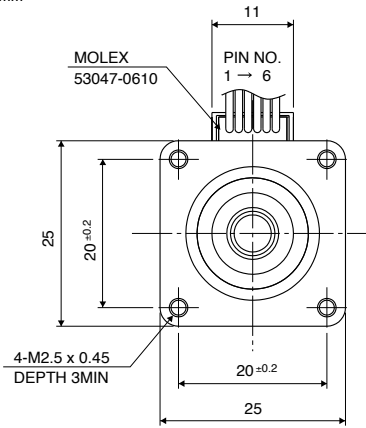
Model No. H23KMH248USTDCN, H23KMH248BSTDCN
Driver: Chopper Dual
Supply Voltage: 24.0 (Volt)



Outline

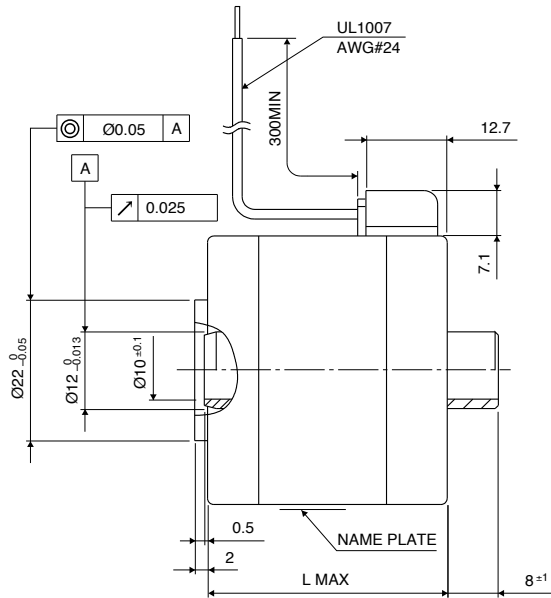
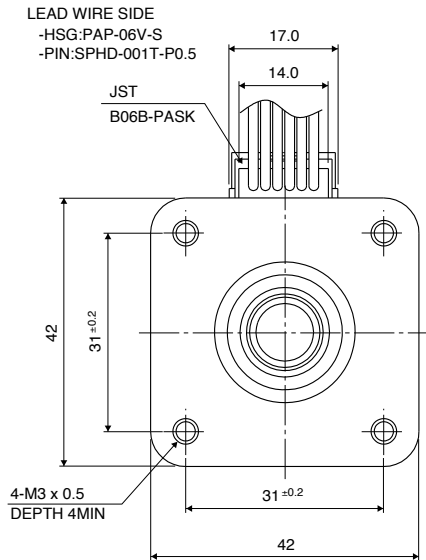
H10PM (□25 1.8°)

Model	Length	UNIT: mm
H10PMK2XX	23.5	
H10PMK0XX	27.5	
H10PMK7XX	33	



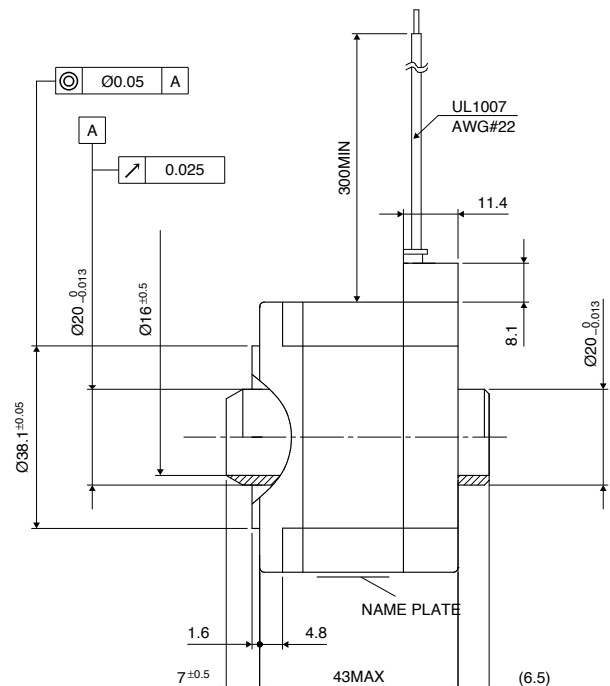
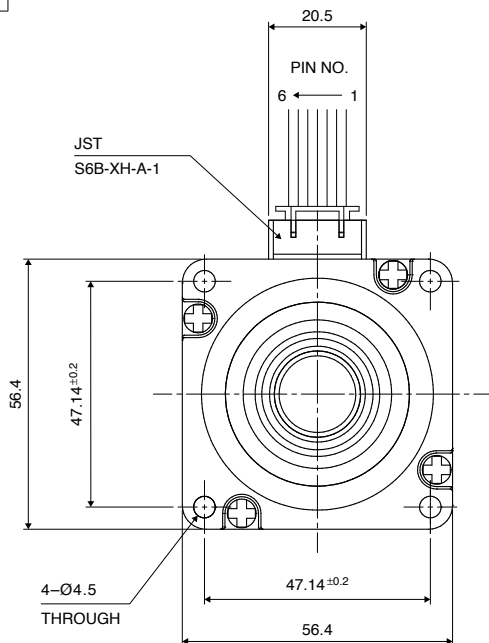
H17PM (□42 1.8°)

Model	Length	UNIT: mm
H17PMK3XX	38	
H17PMK4XX	48	

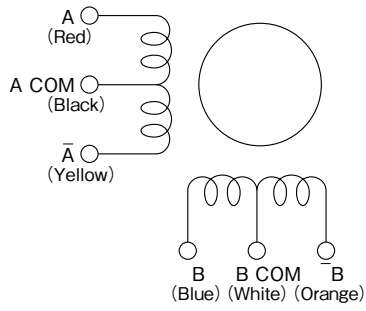


H23KMH (□56 1.8°)

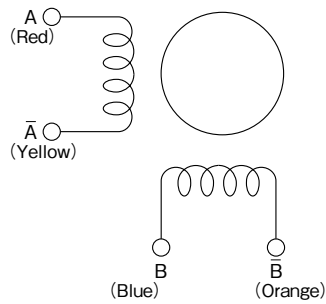
Model	Length	UNIT: mm
H23KMH2XX	41.5	



UNI POLAR Wiring Connection Diagram



BI POLAR Wiring Connection Diagram



General Specifications

Step Accuracy	±5%
Temperature Rise	80°C MAX
Ambient Temperature Range	-10°C ~ +50°C
Insulation Resistance	100M Ω MIN. DC 500V
Dielectric Strength	AC 500V 1min
Radial Play	20 μm MAX. (at 4.4N {450gf} [Load])
End Play	80 μm MAX. (at 4.4N {450gf} [Load])