

M1N6 (φ 12 x 10 x 15mm)

Metal Brush

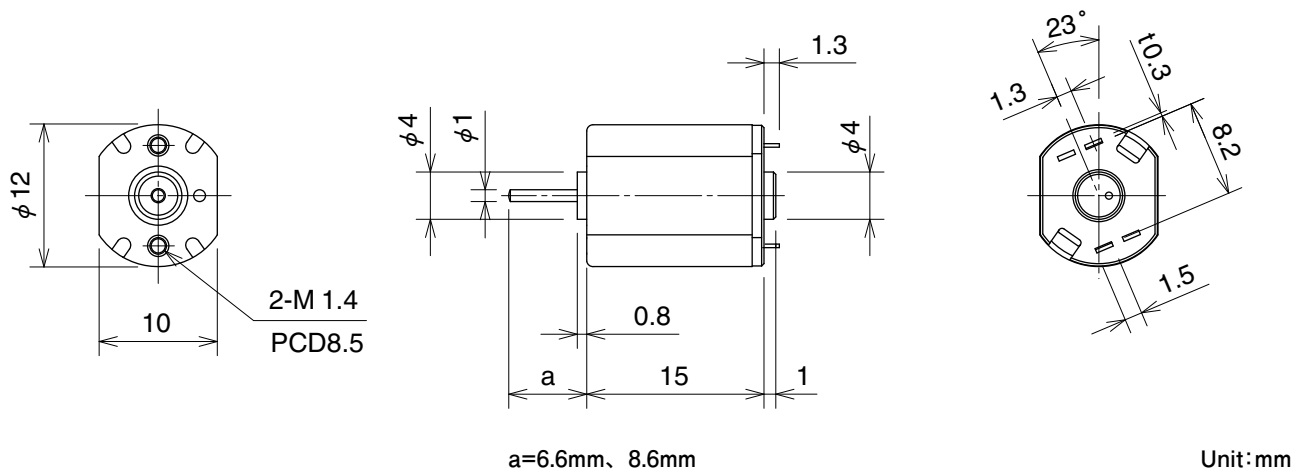


Weight:6.0g

Applications

Camera, Door Lock, Robot

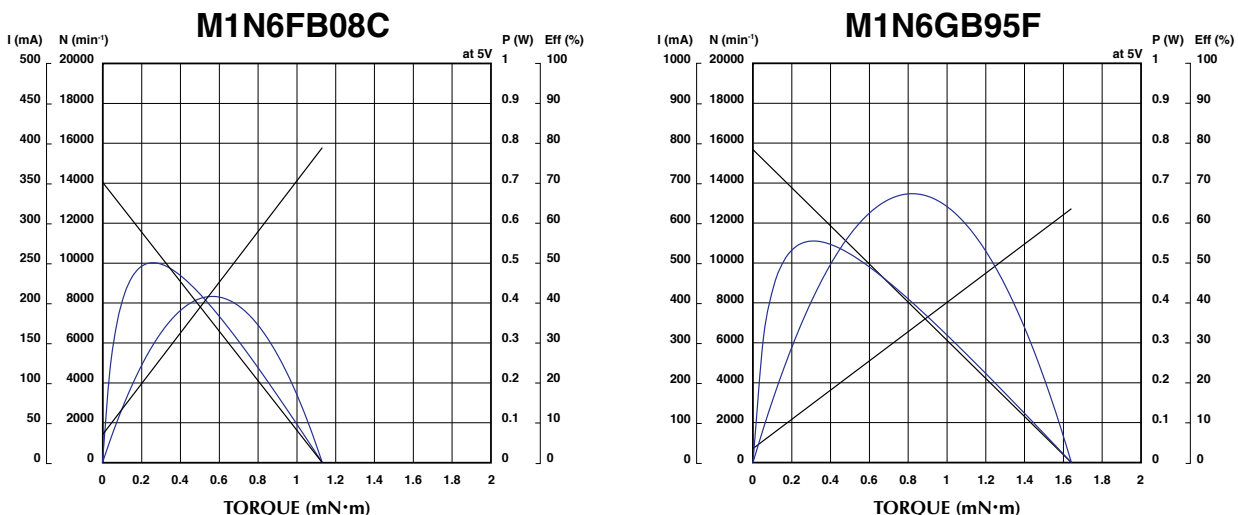
External Dimensions



Reference Characteristics

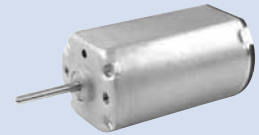
Model	Voltage		No Load		Rated Load		Rated Load		Starting Torque		Starting Current (mA)	Shaft Length (mm)
	Operating (V)	Rated (V)	Speed (min ⁻¹)	Current (mA)	(gf·cm)	(mN·m)	Speed (min ⁻¹)	Current (mA)	(gf·cm)	(mN·m)		
M1N6FB08C	1 to 5	5	14100	30	2	0.20	11600	91	11.2	1.10	366	6.6
M1N6GB95F	1 to 5	5	15700	35	2	0.20	13786	108	16.7	1.64	637	8.6

Characteristics



M1N10 (φ 12 x 10 x 20mm)

Metal Brush

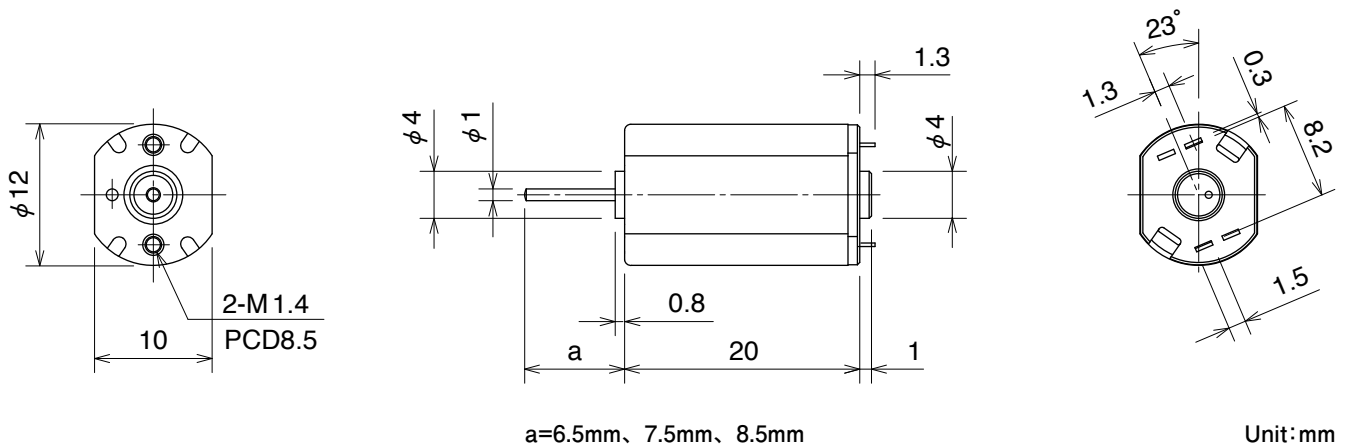


Weight: 8.0g

Applications

Audio

External Dimensions



Reference Characteristics

Model	Voltage		No Load		Rated Load		Rated Load		Starting Torque		Starting Current (mA)	Shaft Length (mm)
	Operating (V)	Rated (V)	Speed (min ⁻¹)	Current (mA)			Speed (min ⁻¹)	Current (mA)				
	M1N10FB08G	1 to 6	5	8324	16	3.06 (gf·cm)	0.30 (mN·m)	6114	78	11.6 (gf·cm)		
M1N10FB09F	1 to 6	5	10822	23	3.06 (gf·cm)	0.30 (mN·m)	8714	96	15.7 (gf·cm)	1.54 (mN·m)	399	6.5
M1N10FB95G	1 to 6	5	10377	24	3.06 (gf·cm)	0.30 (mN·m)	8547	93	17.4 (gf·cm)	1.91 (mN·m)	420	8.5
M1N10FB10K	1 to 6	5	13316	36	3.06 (gf·cm)	0.30 (mN·m)	10988	131	17.5 (gf·cm)	1.72 (mN·m)	575	7.5
M1N10FB11G	1 to 6	5	16040	36	3.06 (gf·cm)	0.30 (mN·m)	13740	144	21.3 (gf·cm)	2.09 (mN·m)	788	8.5

Characteristics

