

M22E-13 (φ 22 x 18mm)

Metal Brush

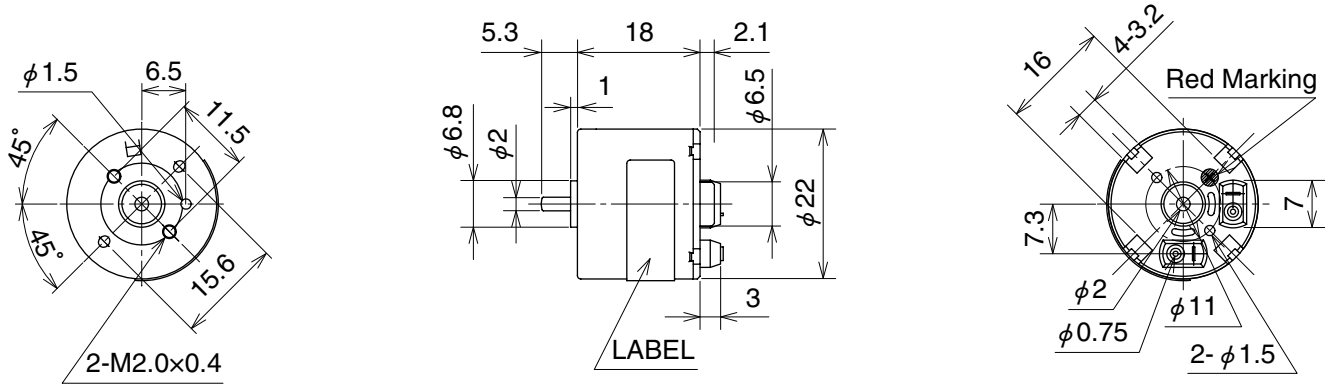


Weight:25.1g

Applications

Shaver, Smart Lock

External Dimensions



Unit: mm

Reference Characteristics

Model	Voltage		No Load		Rated Load		Rated Load		Starting Torque		Starting Current	Shaft length
	Operating	Rated	Speed	Current			Speed	Current				
	(V)	(V)	(min ⁻¹)	(mA)	(gf·cm)	(mN·m)	(min ⁻¹)	(mA)	(gf·cm)	(mN·m)	(mA)	(mm)
M22E-13	3 to 4	3.5	6100	120	94.9	9.30	4000	1800	275.7	27	6481	—*

Characteristics and the shaft length can be customized.

Characteristics

