

M36N-3E (φ 38.2 x 57mm)

Carbon Brush

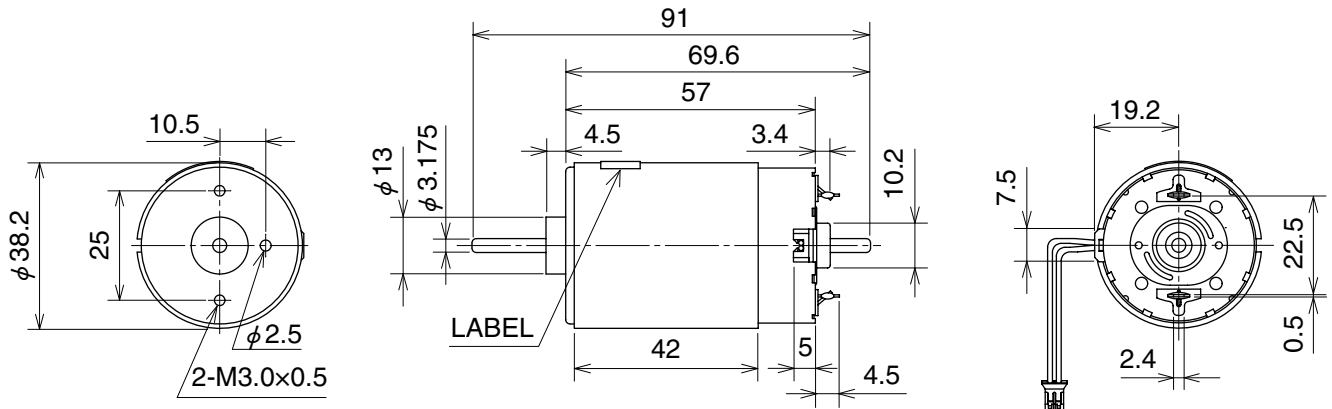


Weight:230.0g

Applications

Printer

External Dimensions



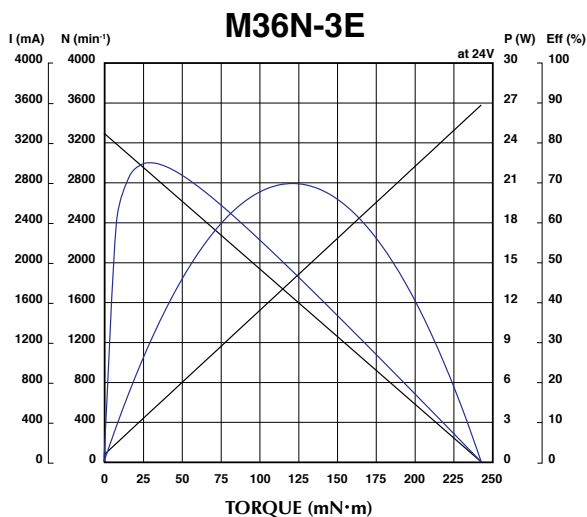
Unit: mm

Reference Characteristics

Model	Voltage		No Load		Rated Load		Rated Load		Starting Torque		Starting Current	Shaft length
	Operating	Rated	Speed	Current			Speed	Current				
	(V)	(V)	(min ⁻¹)	(mA)	(gf·cm)	(mN·m)	(min ⁻¹)	(mA)	(gf·cm)	(mN·m)	(mA)	(mm)
M36N-3E	12 to 27	24	3300	70	691	67.7	2378	1051	2473	242	3582	—*

※Characteristics and the shaft length can be customized.

Characteristics



M36N-4E (φ 38 x 50mm)

Carbon Brush

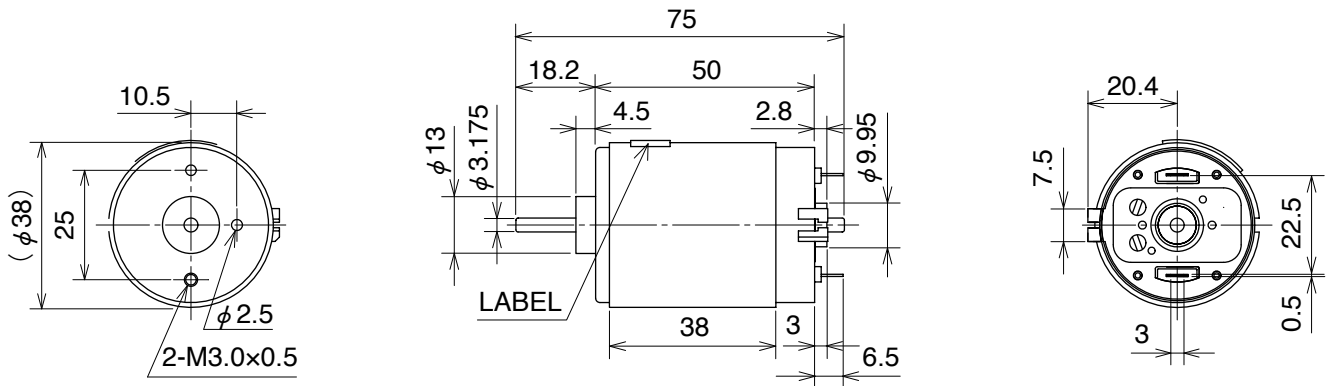


Weight:200.0g

Applications

Printer, Sewing Machine

External Dimensions



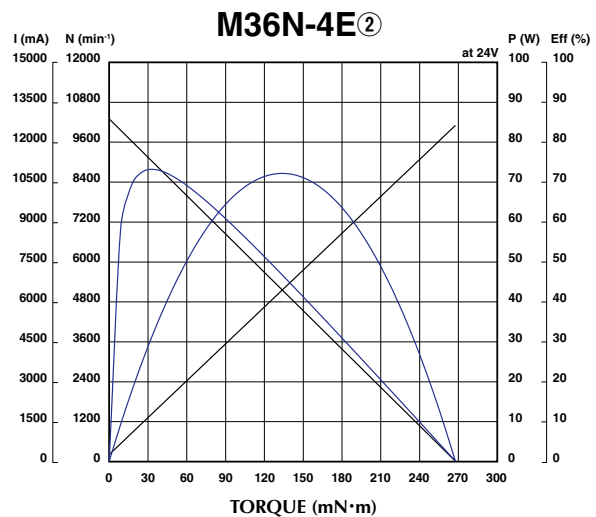
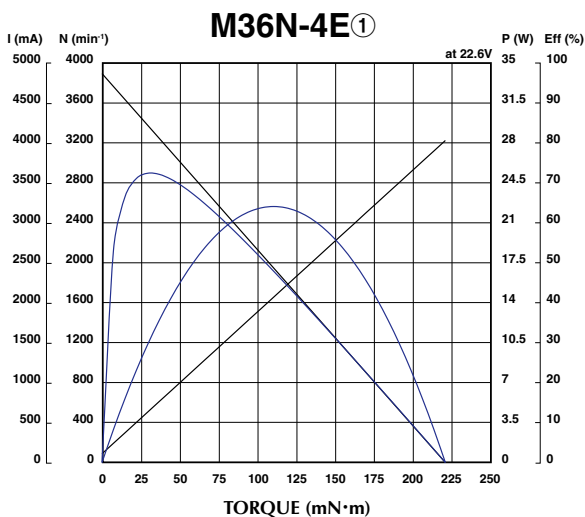
Unit: mm

Reference Characteristics

Model	Voltage		No Load		Rated Load		Rated Load		Starting Torque		Starting Current	Shaft length
	Operating	Rated	Speed	Current			Speed	Current				
	(V)	(V)	(min ⁻¹)	(mA)	(gf·cm)	(mN·m)	(min ⁻¹)	(mA)	(gf·cm)	(mN·m)	(mA)	(mm)
M36N-4E	12 to 26.4	22.6	3900	110	555	54.4	2935	1082	2243	220	4036	—*
	12 to 28	24	10300	250	343	33.6	9100	1806	2729	267	12631	—*

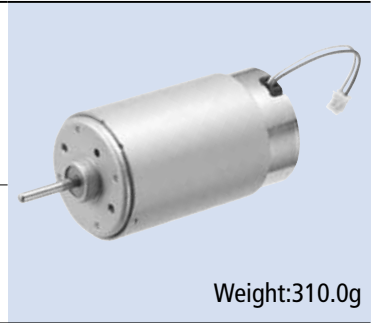
*Characteristics and the shaft length can be customized.

Characteristics



M36N-5E (φ 38.6 x 65mm)

Carbon Brush

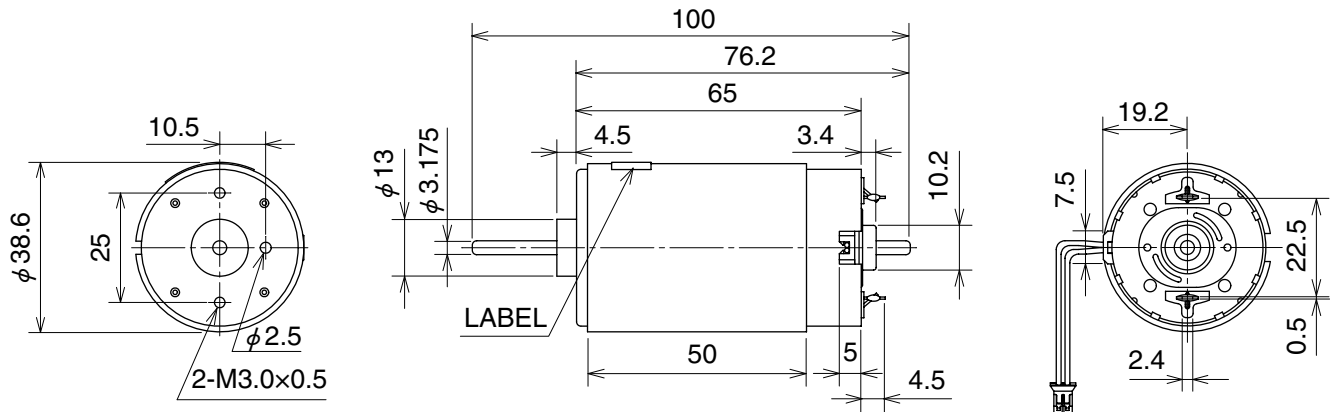


Weight:310.0g

Applications

Printer

External Dimensions



Unit: mm

Reference Characteristics

Model	Voltage		No Load		Rated Load		Rated Load		Starting Torque		Starting Current	Shaft length
	Operating	Rated	Speed	Current			Speed	Current				
	(V)	(V)	(min ⁻¹)	(mA)	(gf·cm)	(mN·m)	(min ⁻¹)	(mA)	(gf·cm)	(mN·m)	(mA)	(mm)
M36N-5E	12 to 38.5	22.4	3100	80	561	55	2437	889	2624	257	3862	—*
	12 to 27	24	3400	80	840	82.3	2546	1290	3343	328	4898	—*

*Characteristics and the shaft length can be customized.

Characteristics

