

Temperature Switch IC with Hysteresis

MM3688



Outline

This IC is a temperature switch IC that changes the output level from Low to High when the temperature around the IC reaches the detection temperature (Active High), and has the hysteresis function. Detection temperature (TDET) can be selected in 1.0°C steps between the range of 60 to 90°C with rank expansion, with detection temperature accuracy of ±2.0°C. This product achieves an ultra-low current consumption of 0.12 μA typ., Which is ideal for mobile products that are concerned about power consumption.

Applications

Wearable	Flat TV	PC Display
Smart Phone	Digital camera	
Tablet PC	Digital Video Camera	

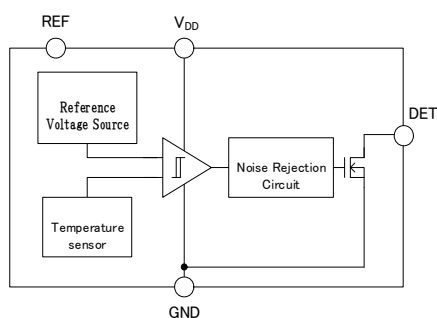
Features

- ① High Temperature accuracy ±2.0°C
- ② Low current consumption ...0.12μAtyp
- ③ Small Package...PLP-4A
- ④ Hysteresis : MM3688B...10°C
MM3488C...15°C
MM3488D...20°C
MM3488E...25°C

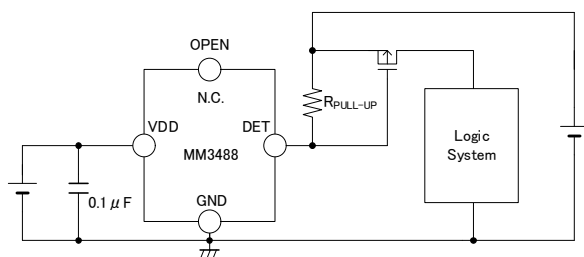
Specification

Parameter	Specifications	Unit
Operation temperature	-40 ~ +125	°C
Operating voltage	1.6 ~ 5.0 (+60~+90°C)	V
Supply current	0.12 (typ.)	μA
Temperature accuracy	±2.0 (1.6V~3.3V)	°C
Hysteresis temperature	10.0 (T _{HYS} =10°C typ.)	°C
	15.0 (T _{HYS} =15°C typ.)	
	20.0 (T _{HYS} =20°C typ.)	
	25.0 (T _{HYS} =25°C typ.)	

Block Diagram



Application circuit



Package

SSON-4B

