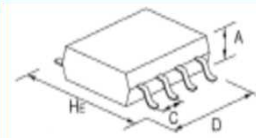


Package



Package Type	Pin Count	Package Name	Package Size(mm)			Pin Pitch(mm)
			He	D	A	C
Flat Lead Type	6	SON-6C	2.00	1.60	0.550	0.500
	6	SON-6F	1.80	1.60	0.550	0.500
Non-Lead Type	4	PLP-4-1228	2.85	1.25	0.600	-
	4	PLP-4E	2.85	1.25	0.500	-
	6	PLP-6G	4.10	2.10	0.500	-
	6	PLP-6J	2.00	1.40	0.480	-
	12	PLP-12A	4.00	2.90	0.600	0.400
	6	SSON-6J	1.40	1.40	0.550	0.500
	6	SSON-6M	1.40	1.40	0.550	0.500
	6	SSON-6N	3.60	1.80	0.650	-
	6	SSON-6U	1.80	1.40	0.400	0.500
	6	SSON-6V	1.80	1.40	0.400	0.500
	6	WLCSP-6D/6E/6F	0.83	1.26	0.360	0.400
	8	WLCSP-8C/8D/8G	0.92	1.51	0.360	0.400
	15	WLCSP-15A	1.46	2.61	0.625	0.500
Gullwing Type	20	VSOP-20A	6.00	8.66	1.500	0.635

Package

Package Name	Dimensional Drawing(mm)	Recommended Land Pattern(mm)
SON-6C		
SON-6F		

Package

Package Name	Dimensional Drawing(mm)	Recommended Land Pattern(mm)
PLP-4-1228		
PLP-4E		

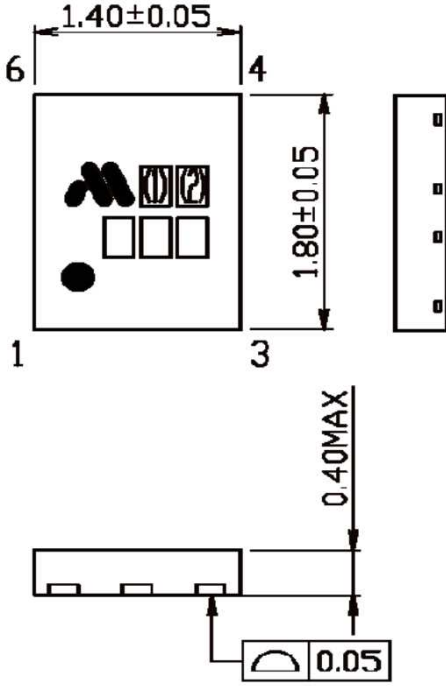
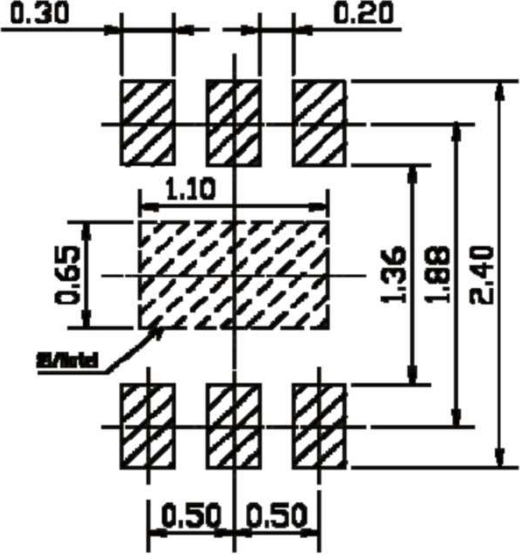
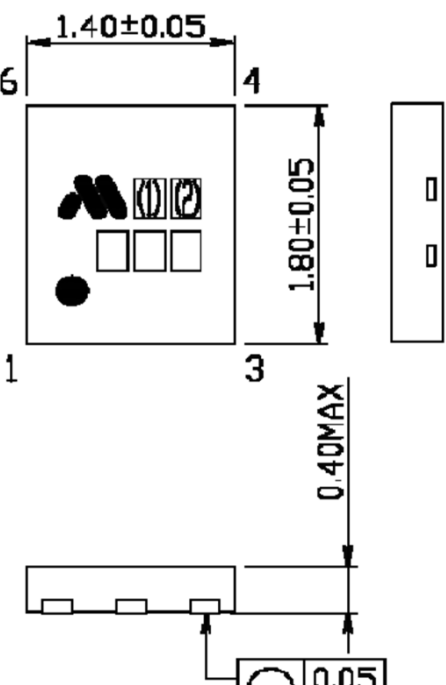
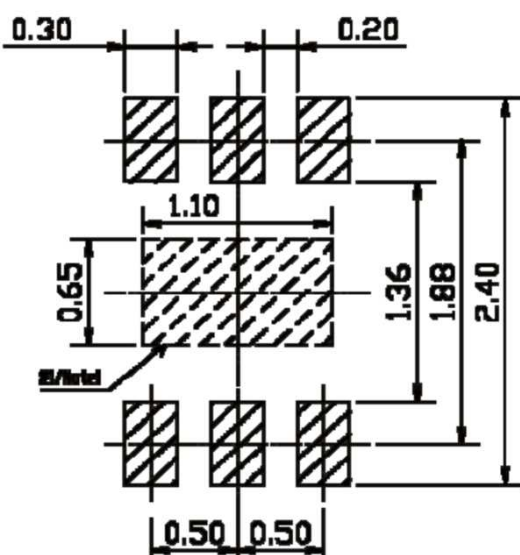
Package

Package Name	Dimensional Drawing(mm)	Recommended Land Pattern(mm)
PLP-6G		
PLP-6J		

Package

Package Name	Dimensional Drawing(mm)	Recommended Land Pattern(mm)
<p>PLP-12A</p>		
<p>SSON-6J</p>		

Package

Package Name	Dimensional Drawing(mm)	Recommended Land Pattern(mm)
SSON-6U	 <p>Top view: 1.40±0.05 mm width, 1.80±0.05 mm height. Pin 1 is at the bottom-left. Pin 6 is at the top-left. Pin 4 is at the top-right. Pin 3 is at the bottom-right. A circular feature is located near pin 1. A square feature is located near pin 4. A rectangular feature is located near pin 3. A side view shows a maximum height of 0.40 mm and a width of 0.05 mm.</p>	 <p>Land pattern dimensions: 0.30 mm spacing between pins, 0.20 mm pin width. Pin pitch is 1.10 mm. Pad diameter is 0.65 mm. Pad-to-pad distance is 1.36 mm. Pad-to-pin distance is 1.88 mm. Pad-to-pin distance is 2.40 mm. Pad-to-pin distance is 0.50 mm. Pad-to-pin distance is 0.50 mm.</p>
SSON-6V	 <p>Top view: 1.40±0.05 mm width, 1.80±0.05 mm height. Pin 1 is at the bottom-left. Pin 6 is at the top-left. Pin 4 is at the top-right. Pin 3 is at the bottom-right. A circular feature is located near pin 1. A square feature is located near pin 4. A rectangular feature is located near pin 3. A side view shows a maximum height of 0.40 mm and a width of 0.05 mm.</p>	 <p>Land pattern dimensions: 0.30 mm spacing between pins, 0.20 mm pin width. Pin pitch is 1.10 mm. Pad diameter is 0.65 mm. Pad-to-pad distance is 1.36 mm. Pad-to-pin distance is 1.88 mm. Pad-to-pin distance is 2.40 mm. Pad-to-pin distance is 0.50 mm. Pad-to-pin distance is 0.50 mm.</p>

Package

Package Name	Dimensional Drawing(mm)	Recommended Land Pattern(mm)
<p>WLCSP-6D WLCSP-6E WLCSP-6F</p>		
<p>WLCSP-8C WLCSP-8D WLCSP-8G</p>		

Package

Package Name	Dimensional Drawing(mm)	Recommended Land Pattern(mm)
WLCSP-15A	<p>Top view dimensions: 2.61±0.03, 1.46±0.03. Pin pitch: 0.24±0.03. Pin diameter: 0.335±0.02. Maximum pin length: 0.625 MAX. Chamfer: 0.05 CZ.</p>	<p>Land pattern dimensions: Pad diameter 0.3, Pad pitch 0.5 (both horizontal and vertical).</p>
VSOP-20A	<p>Top view dimensions: 8.66±0.3, 3.91±0.3, 0.635. Pin pitch: 0.22±0.05. Pin diameter: 0.64+0.7-0.3. Pin length: 6.0±0.3. Chamfer: 0.1. Lead length: 0.25±0.1. Lead thickness: 0.15+0.15-0.10. Lead width: 1.63±0.3. Maximum lead height: 1.5MAX.</p>	<p>Land pattern dimensions: Pad pitch 5.40, Pad width 1.50, Pad pitch 0.635, Pad width 0.33.</p>