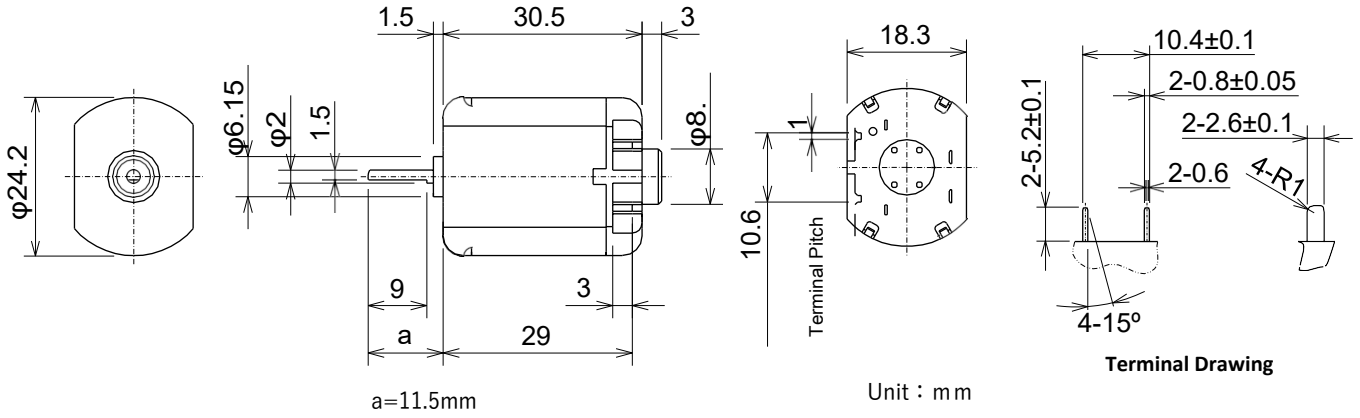




# PAN14

## External Dimensions

Weight: 37.8g



## Reference Characteristics

Model	Voltage		No Load		Rated Load		Rated Load		Starting Torque		Starting Current
	Operating	Rated	Speed	Current			Speed	Current			
	(V)	(V)	(min <sup>-1</sup> )	(mA)	(g·cm)	(mN·m)	(min <sup>-1</sup> )	(mA)	(g·cm)	(mN·m)	
PAN14EE12AC	9 to 16	12.0	10359	73	50.0	4.9	7533	553	183.3	18.0	1834
PAN14EE12AA1	9 to 14.5	12.0	14974	116	50.0	4.9	12850	792	352.4	34.5	4878

## Torque Characteristics

