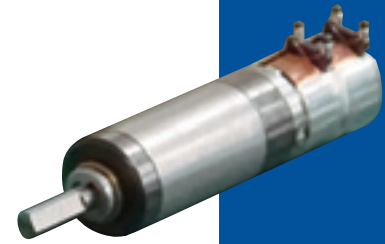


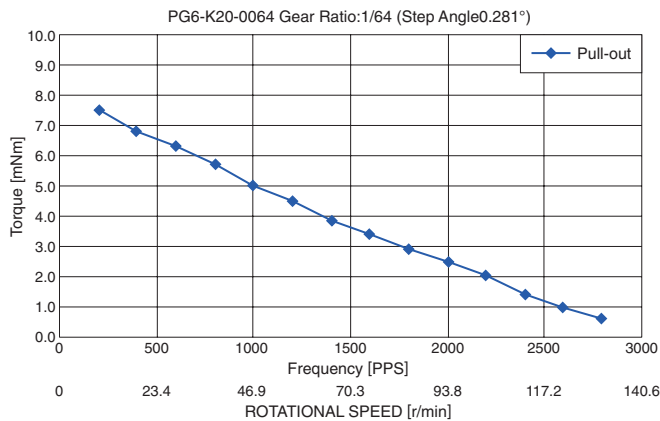
## PM Stepping Motor with GearBox

### Reference Characteristics

Drive Voltage	3 [V]
Drive Method	2 - 2 2 - 2 phase
Drive Circuit	BIPOLAR CONST.VOLT.
Resistance / Phase	20 [ $\Omega$ ]
IC Driver IC	LB1836M
Insulation Resistance	1 M [ $\Omega$ ] Min. at DC100 [V]
Dielectric Strength	AC 100 [V] 1 [min]
Class of Insulation	Class E (U - < Except lead wire)
Ambient Temperature Range	- 10 [ $^{\circ}$ C] ~ + 50 [ $^{\circ}$ C]
Radial Play	0.1 [mm]
Axial Play	0.2 [mm]



### Torque Characteristics



### Application

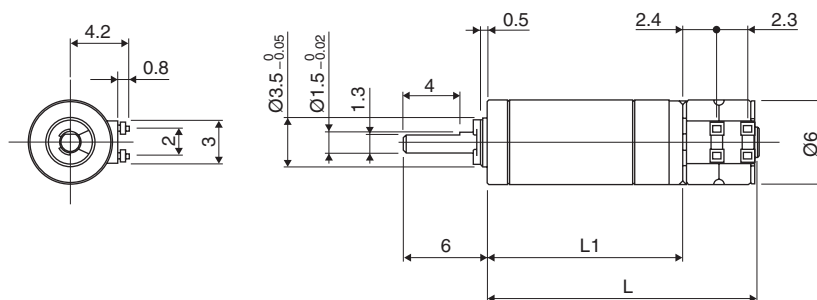
Optical Equipment : Projector / Security Camera

Medical Equipment : Blood Analyzer / Tube Pump

Industrial Equipment : Flow Control Valves / Antenna Adjustment Device

Power Tools : Drills / Drivers

### Outline



### Lineup

Model	Step Angle [deg]	Gear Ratio [1 : X]	Rated Torque [mNm (gf cm)]	Maximum Instantaneous Torque [mNm (gf cm)]	Gearhead length L1 [mm]	Full length L [mm]
PG6-K20-0004	4.500	1 : 4	10 (102)	20 (204)	13.95	19.25
PG6-K20-0016	1.125	1 : 16	20 (204)	30 (306)	16.55	21.85
PG6-K20-0064	0.281	1 : 64	40 (408)	60 (612)	19.15	24.45
PG6-K20-0256	0.070	1 : 256			21.75	27.05
※ PG6-K20-1024	0.018	1 : 1024			24.35	29.65

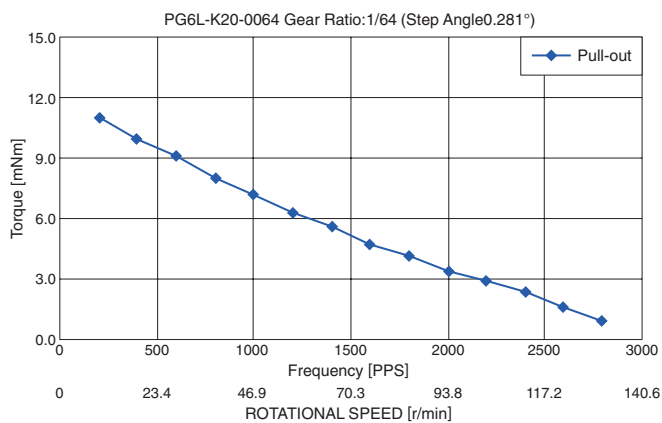
※Please contact us due to specialty.



### Reference Characteristics

Drive Voltage	3 [V]
Drive Method	2 - 2 2 - 2 phase
Drive Circuit	BIPOLAR CONST.VOLT.
Resistance / Phase	20 [ $\Omega$ ]
IC Driver IC	LB1836M
Insulation Resistance	1 M [ $\Omega$ ] Min. at DC100 [V]
Dielectric Strength	AC 100 [V] 1 [min]
Class of Insulation	Class E (U < Except lead wire)
Ambient Temperature Range	- 10 [ $^{\circ}$ C] ~ + 50 [ $^{\circ}$ C]
Radial Play	0.1 [mm]
Axial Play	0.2 [mm]

### Torque Characteristics



### Application

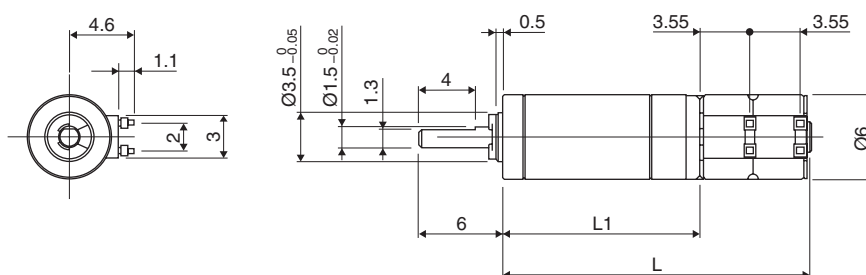
Optical Equipment : Projector / Security Camera

Medical Equipment : Blood Analyzer / Tube Pump

Industrial Equipment : Flow Control Valves /  
Antenna Adjustment Device

Power Tools : Drills / Drivers

### Outline



### Lineup

Model	Step Angle [deg]	Gear Ratio [1 : X]	Rated Torque [mNm (gf cm)]	Maximum Instantaneous Torque [mNm (gf cm)]	Gearhead length L1 [mm]	Full length L [mm]
PG6L-K20-0004	4.500	1 : 4	10 (102)	20 (204)	13.95	21.75
PG6L-K20-0016	1.125	1 : 16	20 (204)	30 (306)	16.55	24.35
PG6L-K20-0064	0.281	1 : 64	40 (408)	60 (612)	19.15	26.95
PG6L-K20-0256	0.070	1 : 256			21.75	29.55
※ PG6L-K20-1024	0.018	1 : 1024			24.35	32.15

※Please contact us due to specialty.