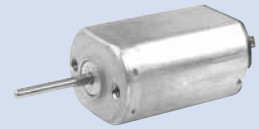


**PKN7** ( $\phi$  10 x 8 x 15mm)

Metal Brush

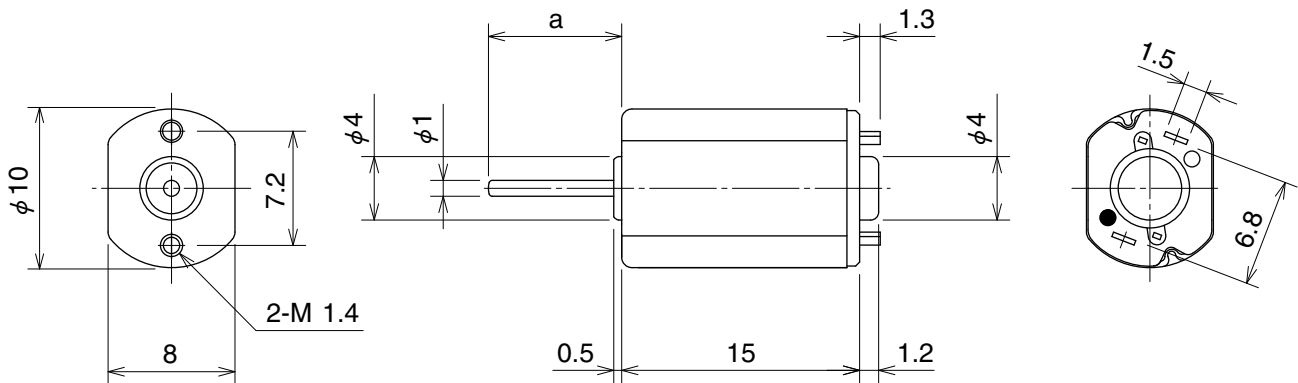


Weight:3.8g

**Applications**

Audio, Camera, Amusement

**External Dimensions**



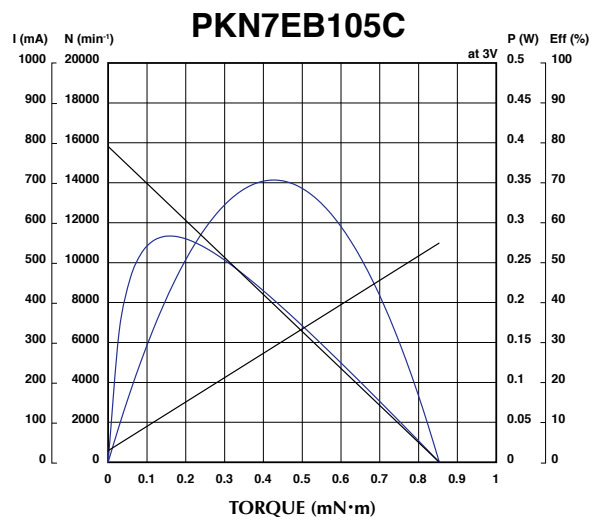
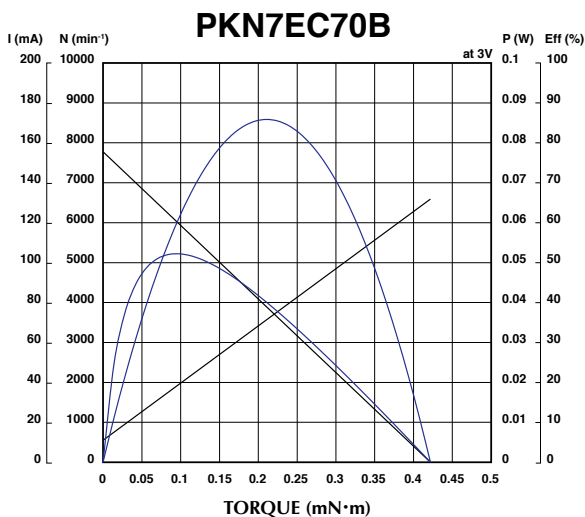
a=6.4mm、8.4mm、9.4mm

Unit:mm

**Reference Characteristics**

| Model      | Voltage   |       | No Load              |         | Rated Load |        | Rated Load           |         | Starting Torque |        | Starting Current | Shaft Length |
|------------|-----------|-------|----------------------|---------|------------|--------|----------------------|---------|-----------------|--------|------------------|--------------|
|            | Operating | Rated | Speed                | Current |            |        | Speed                | Current |                 |        |                  |              |
|            | (V)       | (V)   | (min <sup>-1</sup> ) | (mA)    | (gf·cm)    | (mN·m) | (min <sup>-1</sup> ) | (mA)    | (gf·cm)         | (mN·m) | (mA)             | (mm)         |
| PKN7EC70B  | 1 to 4    | 3     | 7787                 | 11      | 1          | 0.10   | 5920                 | 40      | 4.30            | 0.42   | 132              | 6.4          |
| PKN7EC85D  | 1 to 4    | 3     | 11231                | 18      | 1          | 0.10   | 9444                 | 60      | 6.40            | 0.63   | 278              | 9.4          |
| PKN7EC10C  | 1 to 4    | 3     | 15344                | 28      | 2          | 0.20   | 11430                | 143     | 8.00            | 0.78   | 479              | 8.4          |
| PKN7EB105C | 1 to 4    | 3     | 15844                | 29      | 2          | 0.20   | 12130                | 151     | 8.70            | 0.85   | 550              | 8.4          |

**Characteristics**



# PKN12 ( $\phi$ 10 x 8 x 20mm)

Metal Brush

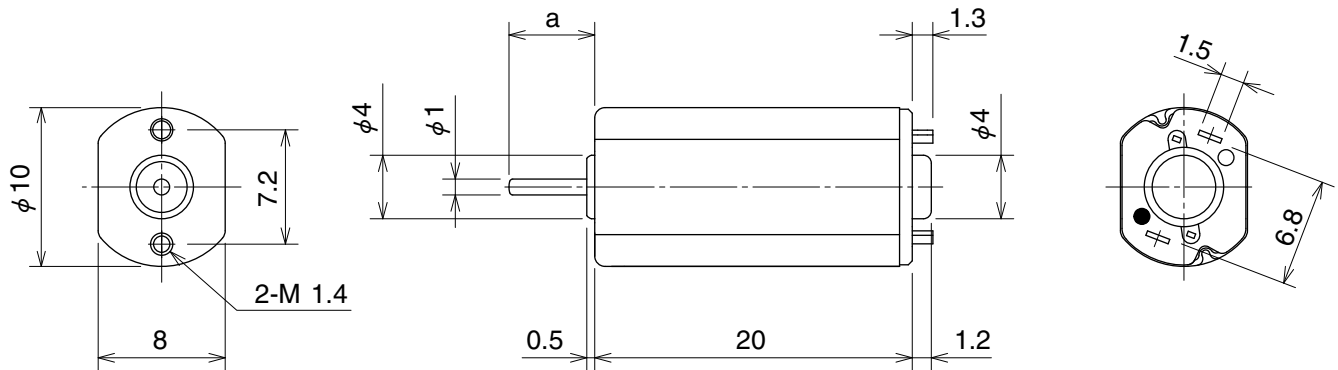


Weight:5.3g

## Applications

Audio

## External Dimensions



a=5.4mm、6.3mm、8.3mm

Unit: mm

## Reference Characteristics

| Model       | Voltage   |       | No Load              |         | Rated Load |        | Rated Load                 |              | Starting Torque         |                        | Starting Current (mA) | Shaft Length (mm) |
|-------------|-----------|-------|----------------------|---------|------------|--------|----------------------------|--------------|-------------------------|------------------------|-----------------------|-------------------|
|             | Operating | Rated | Speed                | Current | Rated Load |        | Speed (min <sup>-1</sup> ) | Current (mA) | Starting Torque (gf·cm) | Starting Torque (mN·m) |                       |                   |
|             | (V)       | (V)   | (min <sup>-1</sup> ) | (mA)    | (gf·cm)    | (mN·m) |                            |              |                         |                        |                       |                   |
| PKN12EB105C | 1 to 4    | 3     | 10023                | 25      | 2          | 0.20   | 7796                       | 102          | 9.20                    | 0.90                   | 370                   | 5.4               |
| PKN12EC10C  | 1 to 5    | 4.5   | 15140                | 31      | 2          | 0.20   | 12700                      | 105          | 12.5                    | 1.23                   | 500                   | 6.3               |
| PKN12EB110E | 1 to 5    | 4.5   | 17560                | 37      | 2          | 0.20   | 15300                      | 130          | 15.5                    | 1.52                   | 711                   | 8.3               |

## Characteristics

