



PM Type
Motors

Reference Characteristics

| | | |
|------------------------------|--------------------------------|---------|
| Motor Size | PM15S — 020 | |
| Number of Steps per Rotation | 20 (18° / Step) | |
| Drive Method | 2 — 2 PHASE | |
| Drive Circuit | BIPOLAR CONST. VOLT. | |
| Drive Voltage | 5 [V] | 12 [V] |
| Current / Phase | | |
| Coil Resistance / Phase | 30 [Ω] | 100 [Ω] |
| Drive IC | L293D | L293D |
| Magnet Material | Nd-Fe-B bonded magnet (MS70) | |
| Insulation Resistance | 100M [Ω] MIN | |
| Dielectric Strength | AC 500 [V] 1 [min] | |
| Class of Insulation | CLASS E (U — except lead wire) | |
| Operating Temp. | - 10 [°C] ~ 50 [°C] | |
| Storage Temp. | - 30 [°C] ~ 80 [°C] | |
| Operating Hum. | 20 [%] RH ~ 90 [%] RH | |

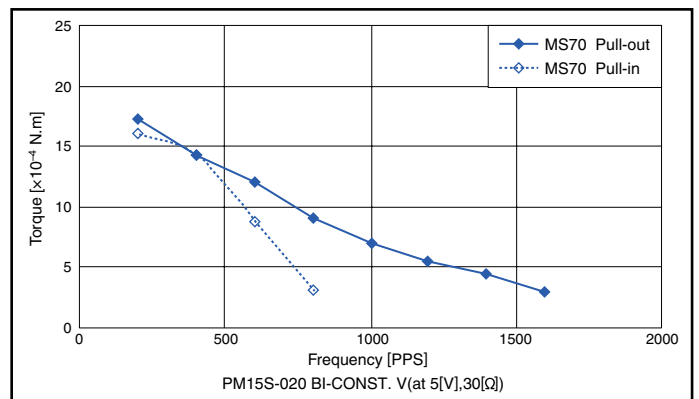
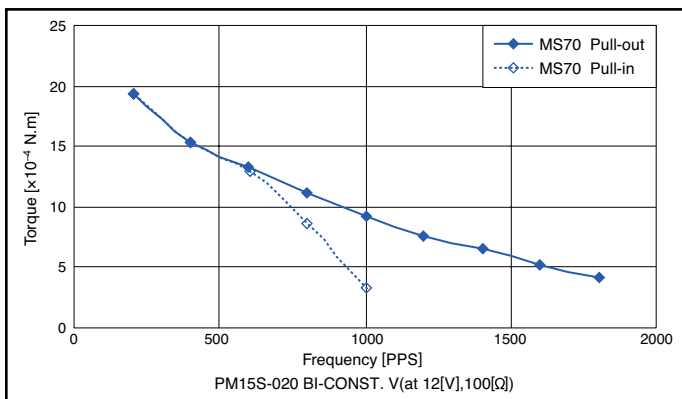
※Bipolar only. Unipolar is not available.

Applications

OA Equipment : Printers / Scanners

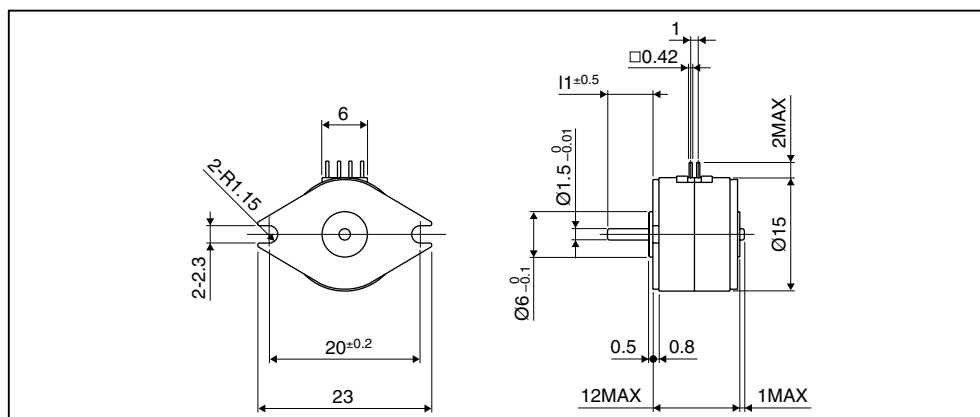
Optical instrument : Digital cameras / Video cameras

Torque Characteristics



These torque values are reference only. Heat radiation conditions and temperature rise effect by duty are different on each equipment, therefore please select motors after considering the actual equipment.

Dimensions



Please contact our sales for inventory and lot information. Specification may be changed without notice.