



PM Type
Motors

Reference Characteristics

Motor Size	PM20S — 020	
Number of Steps per Rotation	20 (18° / Step)	
Drive Method	2 — 2 PHASE	
Drive Circuit	UNIPOLAR CONST. VOLT.	BIPOLAR CHOPPER
Drive Voltage	12 [V]	12 [V]
Current / Phase		300 [mA]
Coil Resistance / Phase	100 [Ω]	8 [Ω]
Drive IC	25C3346	UDN2916B — V
Magnet Material	Nd-Fe-B bonded magnet (MS70)	
Insulation Resistance	100M [Ω] MIN	
Dielectric Strength	AC 500 [V] 1 [min]	
Class of Insulation	CLASS E (U — except lead wire)	
Operating Temp.	- 10 [°C] ~ 50 [°C]	
Storage Temp.	- 30 [°C] ~ 80 [°C]	
Operating Hum.	20 [%] RH ~ 90 [%] RH	

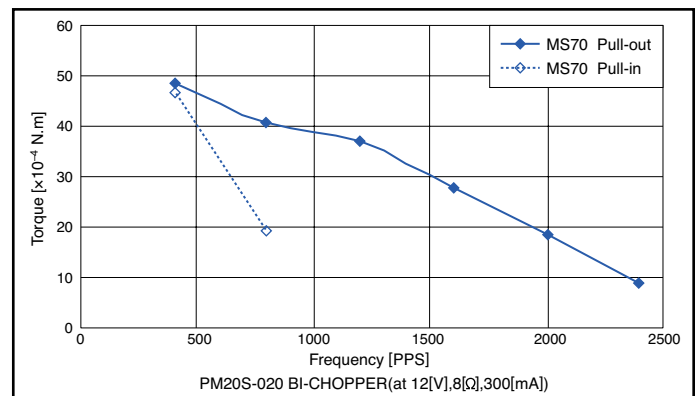
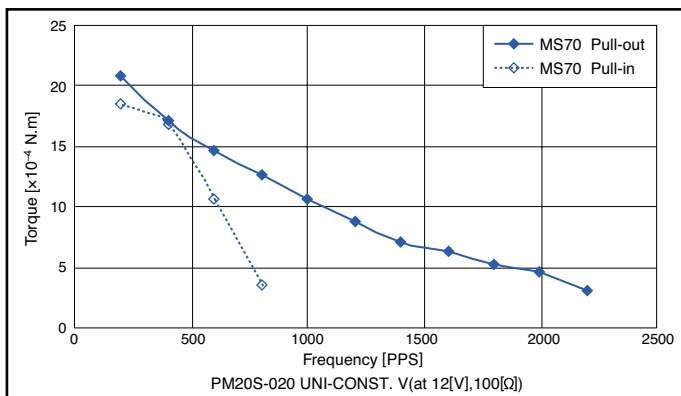
Applications

OA Equipment : Printers / Scanners

Automotive : Meters

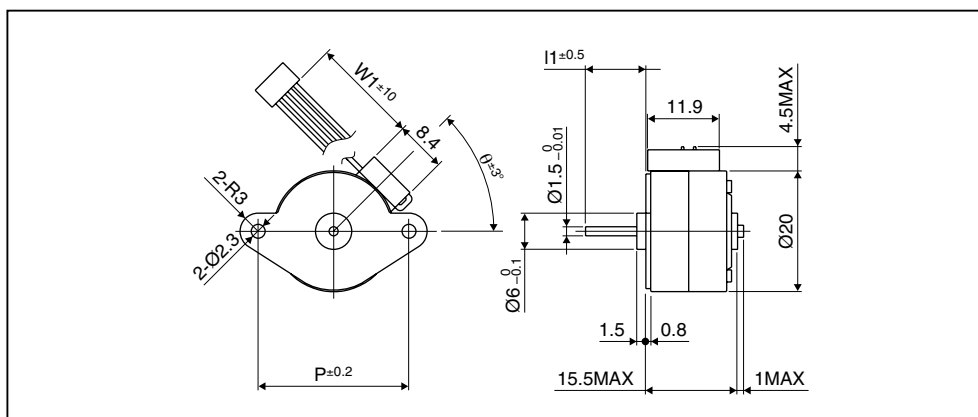
Home automation appliances : Sewing machines

Torque Characteristics

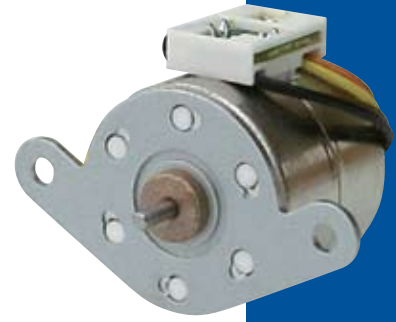


These torque values are reference only. Heat radiation conditions and temperature rise effect by duty are different on each equipment, therefore please select motors after considering the actual equipment.

Dimensions



Please contact our sales for inventory and lot information. Specification may be changed without notice.



PM Type
Motors

Reference Characteristics

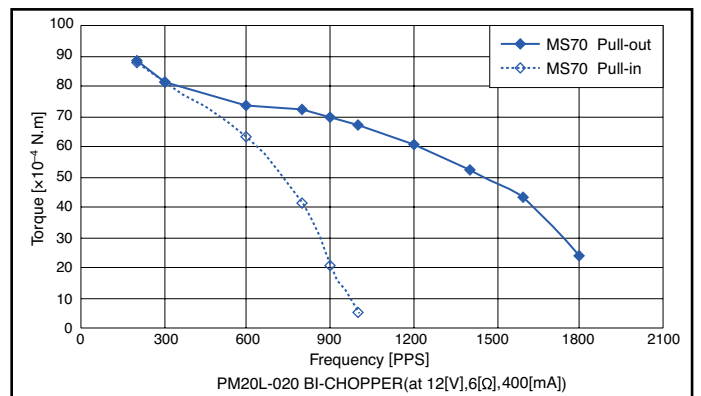
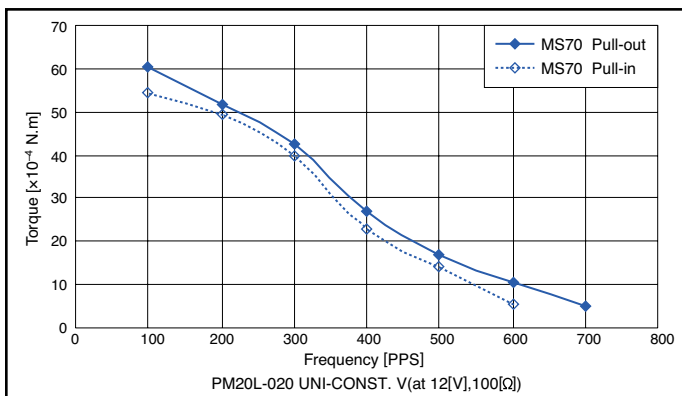
Motor Size	PM20L—020	
Number of Steps per Rotation	20 (18° / Step)	
Drive Method	2 — 2 PHASE	
Drive Circuit	UNIPOLAR CONST. VOLT.	BIPOLAR CHOPPER
Drive Voltage	12 [V]	12 [V]
Current / Phase		400 [mA]
Coil Resistance / Phase	100 [Ω]	6 [Ω]
Drive IC	25C3346	UDN2916B — V
Magnet Material	Nd-Fe-B bonded magnet (MS70)	
Insulation Resistance	100M [Ω] MIN	
Dielectric Strength	AC 500 [V] 1 [min]	
Class of Insulation	CLASS E (U — except lead wire)	
Operating Temp.	- 10 [°C] ~ 50 [°C]	
Storage Temp.	- 30 [°C] ~ 80 [°C]	
Operating Hum.	20 [%] RH ~ 90 [%] RH	

Applications

OA Equipment : Printers / Scanners

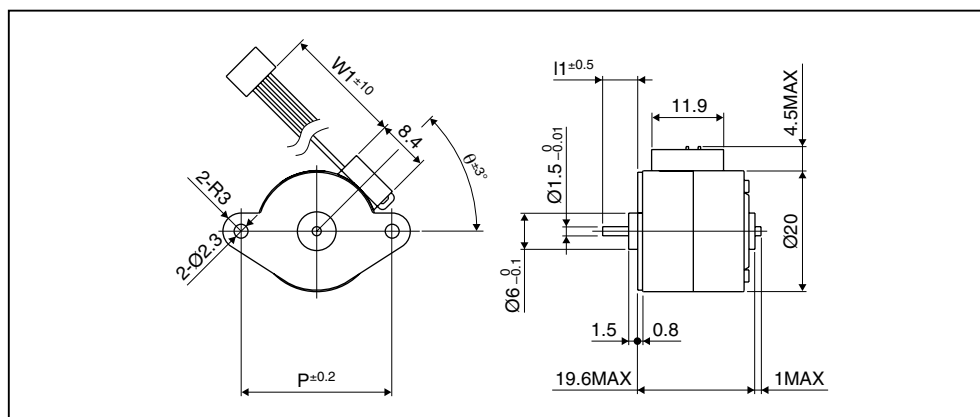
Automotive : Meters

Torque Characteristics



These torque values are reference only. Heat radiation conditions and temperature rise effect by duty are different on each equipment, therefore please select motors after considering the actual equipment.

Dimensions



Please contact our sales for inventory and lot information. Specification may be changed without notice.