



PM Type  
Motors

## Reference Characteristics

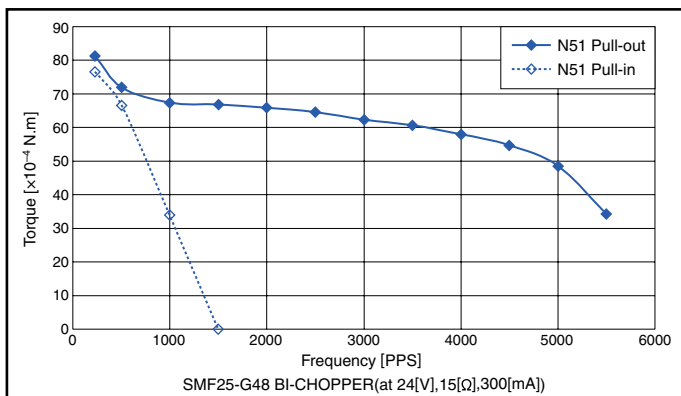
Motor Size	SMF25 — G48
Number of Steps per Rotation	48 (7.5° / Step)
Drive Method	2 — 2 PHASE
Drive Circuit	BIPOLAR CONST. CURR.
Drive Voltage	24 [V]
Current / Phase	300 [mA]
Coil Resistance / Phase	15 [Ω]
Drive IC	MTD2003
Magnet Material	Isotropy ferrite sintered magnet (B13)
	Nd-Fe-B bonded magnet (N51)
Insulation Resistance	100M [Ω] MIN
Dielectric Strength	AC 500 [V] 1 [min]
Class of Insulation	CLASS E (U — except lead wire)
Operating Temp.	- 10 [°C] ~ 50 [°C]
Storage Temp.	- 30 [°C] ~ 80 [°C]
Operating Hum.	5 [%] RH ~ 90 [%] RH

※Bipolar only. Unipolar is not available.

## Applications

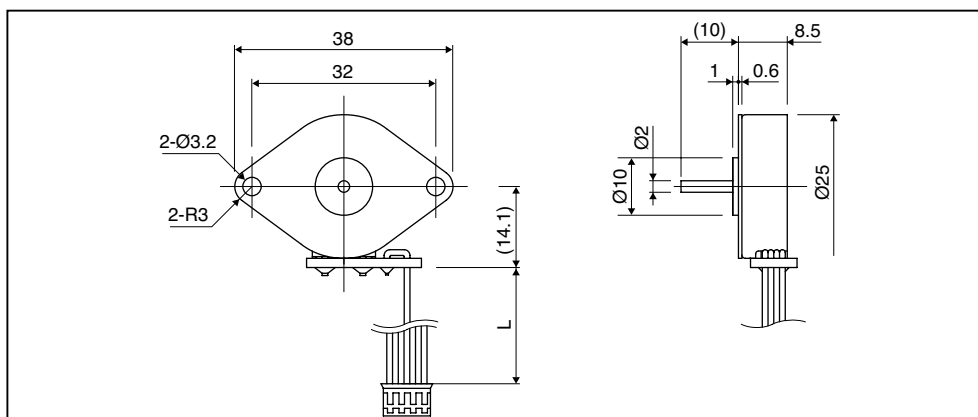
OA Equipment : Printers / Scanners

## Torque Characteristics



These torque values are reference only. Heat radiation conditions and temperature rise effect by duty are different on each equipment, therefore please select motors after considering the actual equipment.

## Dimensions



Please contact our sales for inventory and lot information. Specification may be changed without notice.



PM Type  
Motors

## Reference Characteristics

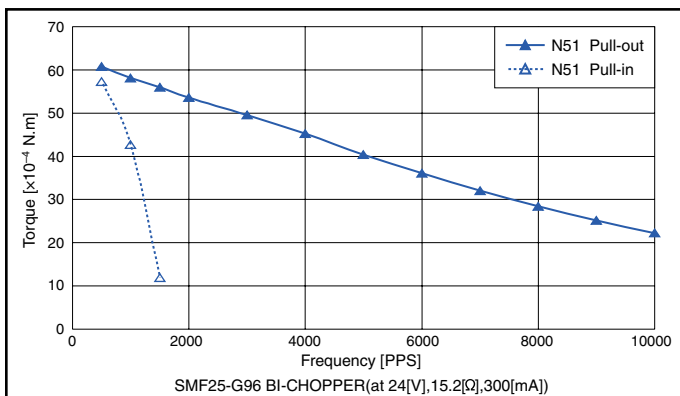
Motor Size	SMF25 — G96
Number of Steps per Rotation	96 (3.75° / Step)
Drive Method	2 — 2 PHASE
Drive Circuit	BIPOLAR CONST. CURR.
Drive Voltage	24 [V]
Current / Phase	300 [mA]
Coil Resistance / Phase	15.2 [Ω]
Drive IC	MTD2003
Magnet Material	Isotropy ferrite sintered magnet (B13)
	Nd-Fe-B bonded magnet (N51)
Insulation Resistance	100M [Ω] MIN
Dielectric Strength	AC 500 [V] 1 [min]
Class of Insulation	CLASS E (U — except lead wire)
Operating Temp.	- 10 [°C] ~ 50 [°C]
Storage Temp.	- 30 [°C] ~ 80 [°C]
Operating Hum.	5 [%] RH ~ 90 [%] RH

※Bipolar only. Unipolar is not available.

## Applications

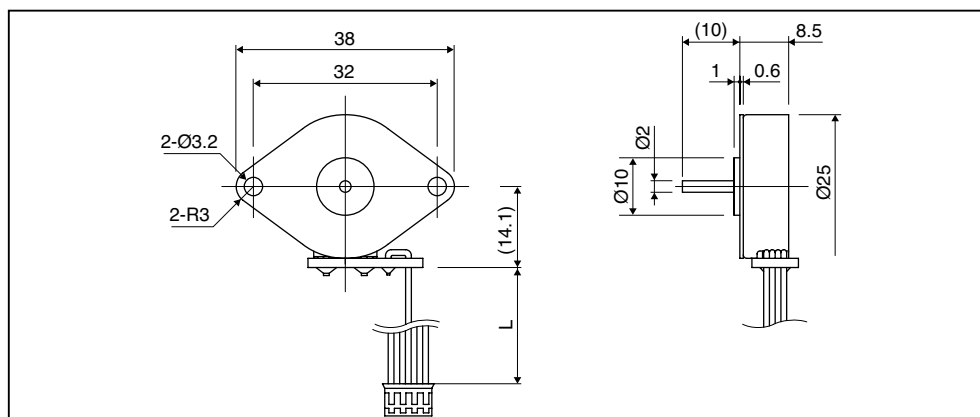
OA Equipment : Printers / Scanners

## Torque Characteristics



These torque values are reference only. Heat radiation conditions and temperature rise effect by duty are different on each equipment, therefore please select motors after considering the actual equipment.

## Dimensions



Please contact our sales for inventory and lot information. Specification may be changed without notice.