



PM Type  
Motors

## Reference Characteristics

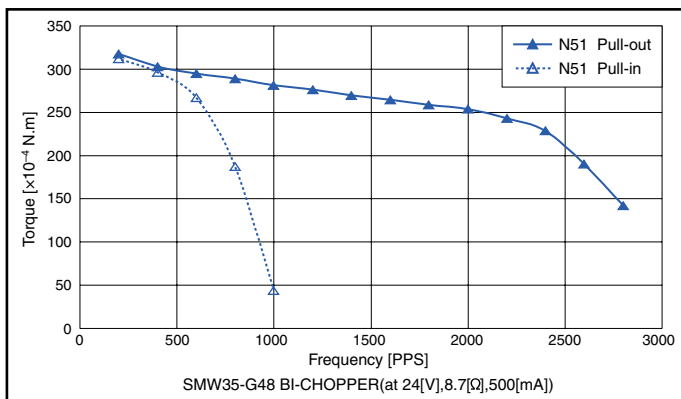
|                              |                                |
|------------------------------|--------------------------------|
| Motor Size                   | SMW35 — G48                    |
| Number of Steps per Rotation | 48 (7.5° / Step)               |
| Drive Method                 | 2 — 2 PHASE                    |
| Drive Circuit                | BIPOLAR CONST. CURR.           |
| Drive Voltage                | 24 [V]                         |
| Current / Phase              | 500 [mA]                       |
| Coil Resistance / Phase      | 8.7 [Ω]                        |
| Drive IC                     | MTD2003                        |
| Magnet Material              | Nd-Fe-B bonded magnet (N51)    |
| Insulation Resistance        | 100M [Ω] MIN                   |
| Dielectric Strength          | AC 500 [V] 1 [min]             |
| Class of Insulation          | CLASS E (U — except lead wire) |
| Operating Temp.              | - 10 [°C] ~ 50 [°C]            |
| Storage Temp.                | - 30 [°C] ~ 80 [°C]            |
| Operating Hum.               | 5 [%] RH ~ 90 [%] RH           |

※Bipolar only. Unipolar is not available.

## Applications

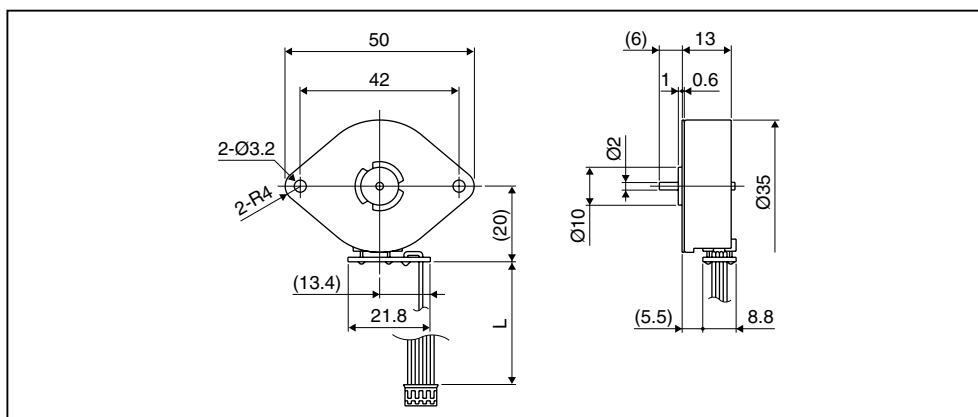
OA Equipment : Printers / Scanners

## Torque Characteristics



These torque values are reference only. Heat radiation conditions and temperature rise effect by duty are different on each equipment, therefore please select motors after considering the actual equipment.

## Dimensions



Please contact our sales for inventory and lot information. Specification may be changed without notice.



PM Type  
Motors

## Reference Characteristics

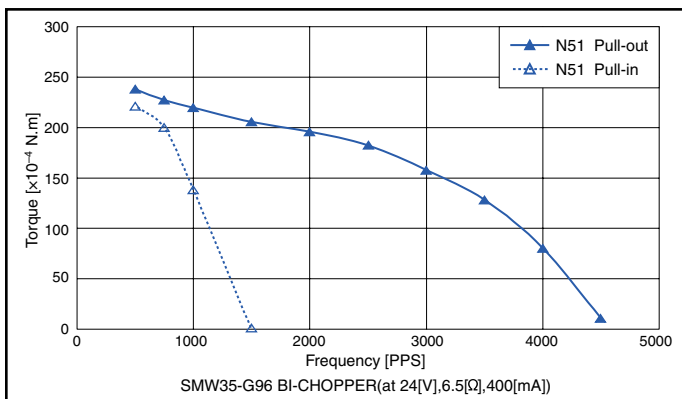
|                              |                                  |
|------------------------------|----------------------------------|
| Motor Size                   | SMW35 — G96                      |
| Number of Steps per Rotation | 96 (3.75° / Step)                |
| Drive Method                 | 2 — 2 PHASE                      |
| Drive Circuit                | バイポーラ定電流<br>BIPOlar CONST. CURR. |
| Drive Voltage                | 24 [V]                           |
| Current / Phase              | 400 [mA] / 相                     |
| Coil Resistance / Phase      | 6.5 [Ω]                          |
| Drive IC                     | MTD2003                          |
| Magnet Material              | Nd-Fe-B bonded magnet (N51)      |
| Insulation Resistance        | 100M [Ω] MIN                     |
| Dielectric Strength          | AC 500 [V] 1 [min]               |
| Class of Insulation          | CLASS E (リ—except lead wire)     |
| Operating Temp.              | - 10 [°C] ~ 50 [°C]              |
| Storage Temp.                | - 30 [°C] ~ 80 [°C]              |
| Operating Hum.               | 5 [%] RH ~ 90 [%] RH             |

※Bipolar only. Unipolar is not available.

## Applications

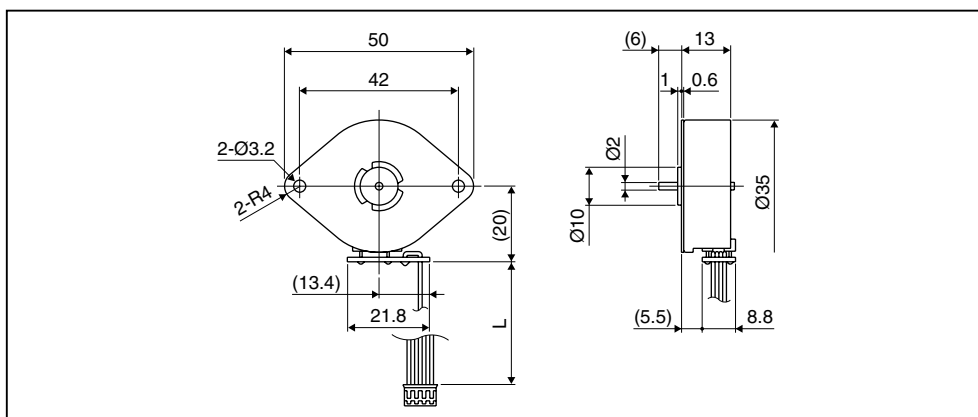
OA Equipment : Printers / Scanners

## トルク特性 Torque Characteristics



このトルク値は一般参考値です。ご使用の際には放熱条件やデューティにより温度上昇が異なりますので、実機での熱条件を考慮してモータを選定下さい。  
These torque values are reference only. Heat radiation conditions and temperature rise effect by duty are different on each equipment, therefore please select motors after considering the actual equipment.

## モータ外觀寸法 Dimensions



在庫状況及び受注ロットについては、弊社営業にお問合せ下さい。仕様については予告なく変更する場合がございます。  
Please contact our sales for inventory and lot information. Specification may be changed without notice.